

EC axial fans for agricultural ventilation

version 07/2011



The engineer's choice

ebmpapst

The new EC axial fans for agricultural ventilation

Energy-efficient fans are also becoming increasingly important in agriculture. Motivated by legal requirements and increasing energy costs, the market is demanding new, energy-efficient solutions.

To accommodate this trend, ebm-papst has introduced the new axial fan series with energy saving EC technology, fully in line with the GreenTech philosophy.

This brochure contains a selection of axial fans, starting from an outer diameter of 500 mm all the way up to an outer diameter of 1250 mm. This corresponds to an air performance of up to 58.000 m³/h.

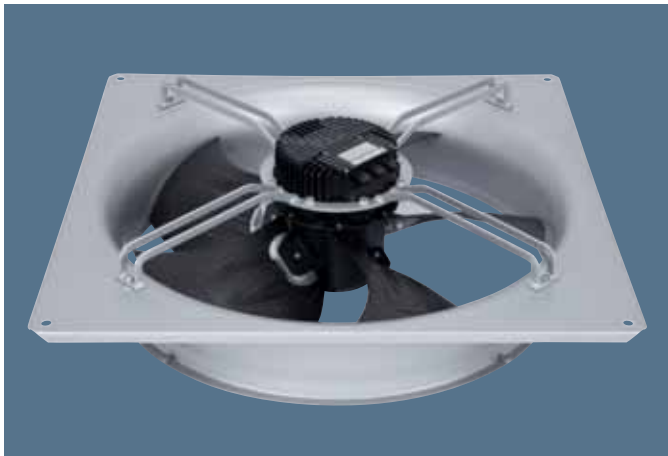
The fans have EC motors and consume, depending on the operating cycle, up to 70% less electrical energy than comparable AC fans. Installation could not be easier: the fan is installed in the exhaust duct or wall of the building using the attached wall ring plate. Alternatively, the fan is integrated directly into a customer-side exhaust duct using an optional support structure.








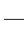
Depending on the required air performance, customers can choose between a version with low pressure increase and a version for higher pressure drops, such as those encountered in biofilters.

Depending on the attainable air performance, the fans are available in single-phase or three-phase design, 50 or 60 Hz power supply system. The fans are controlled via the standard 0-10V interface or an integrated bus interface.

Comprehensive corrosion protection measures have been taken that allow the fans to be used in almost all climatic applications with outstanding operating reliability.

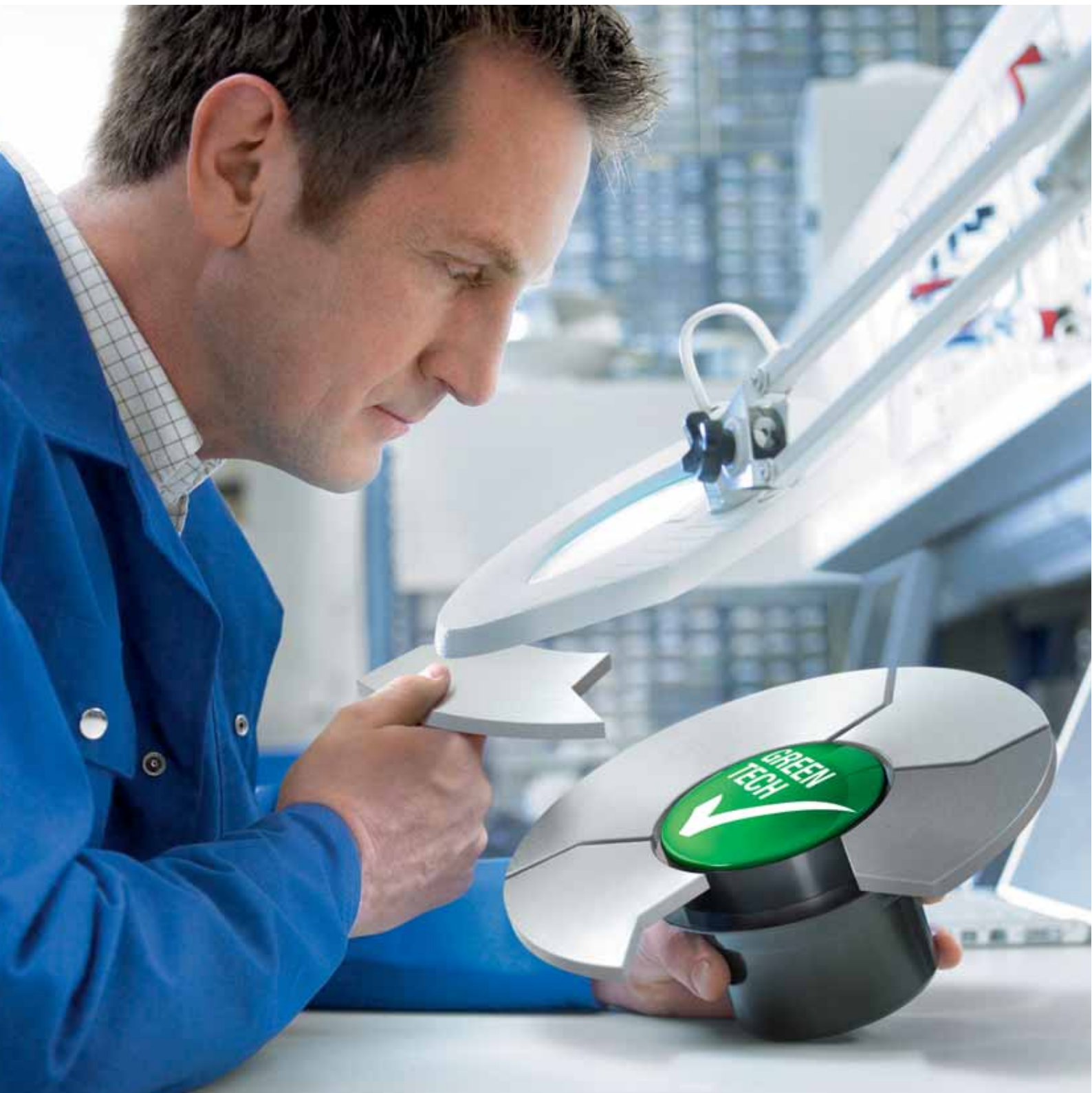
Table of contents



 The new EC axial fans for agricultural ventilation	2
 GreenTech: The Green Company	4
 Energy comparison	6
 EC axial fans “low pressure”	8
 EC axial fans “high pressure”	16
 Electrical connections	26
 Technical parameters & scope	30
 ebm-papst representatives & subsidiaries	34

Sustainability is at the centre of our thoughts and actions. Out of conviction!

Eco-friendliness and sustainability have always been at the core of our thoughts and actions. For decades, we have worked according to the simple but strict creed of our co-founder Gerhard Sturm: "Each new product we develop has to be better than the last one in terms of economy and ecology." GreenTech is the ultimate expression of our corporate philosophy.





GreenTech is pro-active development.

Even in the design phase, the materials and processes we use are optimised for the greatest possible eco-friendliness, energy balance and – wherever possible – recyclability. We continually improve the material and performance of our products, as well as the flow and noise characteristics. At the same time, we significantly reduce energy consumption. Close co-operation with universities and scientific institutes and the professorship we endow in the area of power engineering and regenerative energies allows us to profit from the latest research findings in these fields – and at the same time ensure highly qualified young academics.

GreenTech is eco-friendly production.

GreenTech also stands for maximum energy efficiency in our production processes. There, the intelligent use of industrial waste heat and ground-water cooling, photovoltaics and, of course, our own cooling and ventilation technology are of the utmost importance. Our most modern plant, for instance, consumes 91% less energy than currently specified and required. In this way, our products contribute to protecting the environment, from their origin to their recyclable packaging.

GreenTech is acknowledged and certified.

Every step in our chain of production meets the stringent standards of environmental specialists and the public. The 2008 Environmental Prize of Baden-Wuerttemberg, the Green Award 2009, the Energy Efficiency Award 2009 of the dena – to give just a few examples – testify to this. The environmental advantage gained in the performance of the products developed from our GreenTech philosophy can also be measured in the fulfilment of the most stringent energy and environmental standards. In many instances, our products are already well below the thresholds energy legislation will impose a few years from now – several times over.

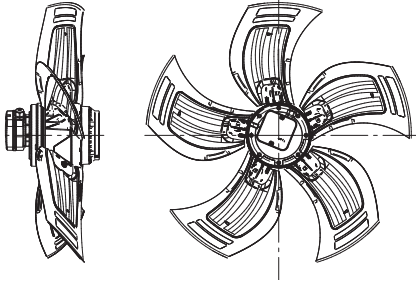
Our customers profit from this every day.

The heart of GreenTech is future-oriented EC technology from ebmpapst. The EC technology at the core of our most efficient motors and fans allows efficiency of up to 90%, saves energy at a very high level, significantly extends service life and makes our products maintenance-free. These values pay off not only for the environment, but every cent also pays off for the user! All ebmpapst products – even those for which GreenTech EC technology does not (yet) make sense from an application viewpoint – feature the greatest possible connection of economy and ecology.

Energy comparison: axial fans size 800

The controlled ventilation of agricultural sheds is carried out primarily using axial fans. The fans are driven using single-phase asynchronous motors installed in the hub, with speeds that are adjusted by changing the supply voltage. The disadvantage of this system is the relatively poor energy balance. New motor and control configurations provide a significant improvement in energy balance. The following comparison between a conventional asynchronous fan and a GreenTech EC fan demonstrates this impressively.

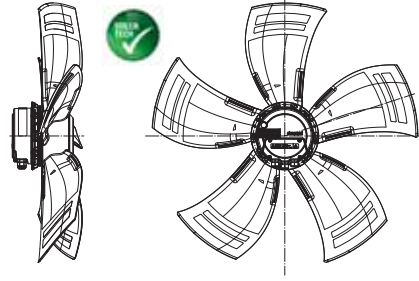
AC axial fan



Asynchronous motor / AC motor
 External voltage control
 3~400 V



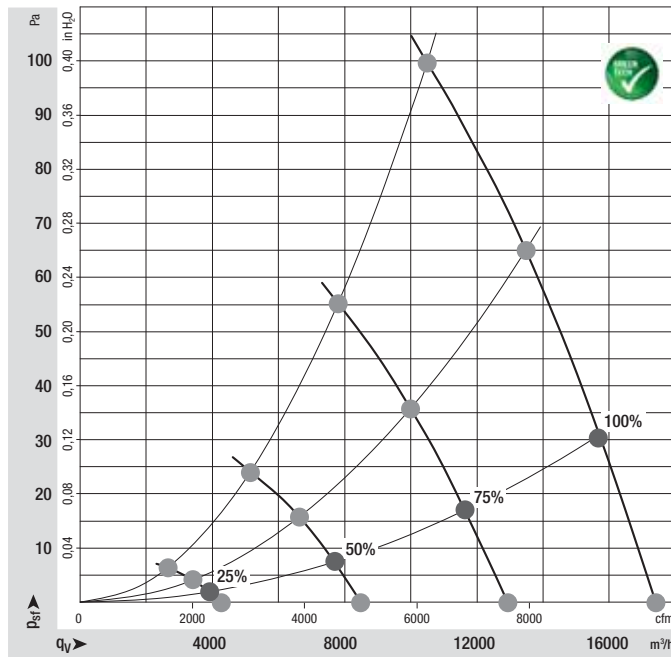
GreenTech EC axial fan



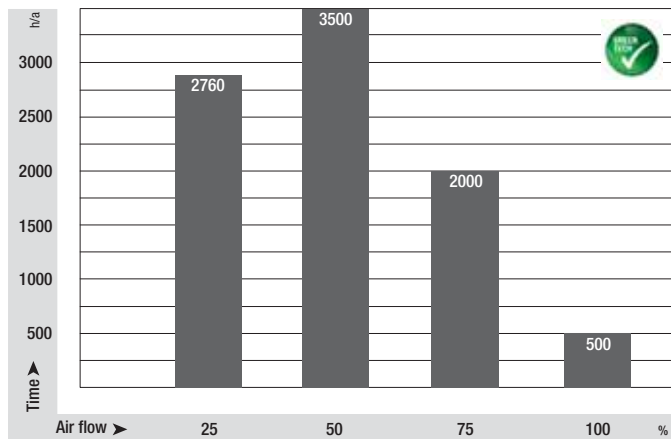
Permanent magnet motor / GreenTech EC motor
 Integrated frequency inverter control
 1~230 V

External rotor technology

Comparison: 15.800 m³/h
 @ 30 Pa and partial-load operation



Load profile



Energy comparison: axial fans size 800

If both fans are operated over the year with the specified load profile, the GreenTech EC fan provides significant cost savings. This is shown in the following image as a function of the energy costs. For example, if the electricity price is 0.10 EUR per kWh, annual savings of 149 EUR can be expected.

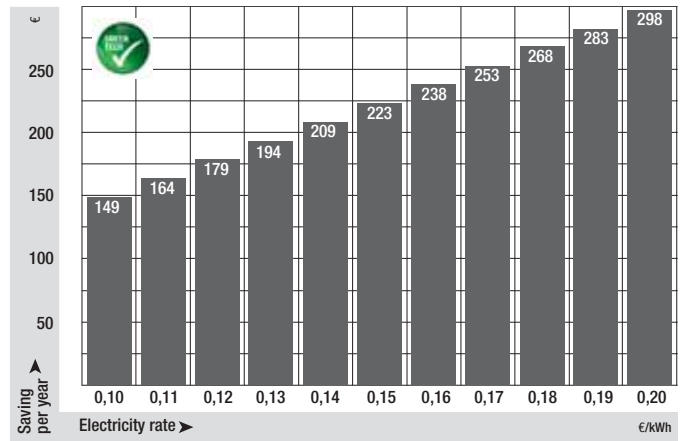


Figure: Annual savings as a function of the energy costs

The following figure provides the view over a longer period. Here, the annual operating costs of both fan concepts are added up over the years. The load profile shown above also served as the basis for the calculation here. The energy costs have been set at 0.10 EUR per kWh.



Figure: Operating costs over time at 0.10 EUR/kWh

The specific output of fans is an important and widely used statistic for their efficiency. This is shown by the power requirement in watts relative to a delivery volume of 1000 m³/h. The graph shows the specific output of both fan concepts, starting at the design operating point of 15.800 m³/h @ 30Pa. The GreenTech EC technology shows its advantages particularly well in partial-load operation, i.e. at reduced speed. That is precisely where barn fans are primarily operated. Another reason to decide in favour of groundbreaking EC technology.

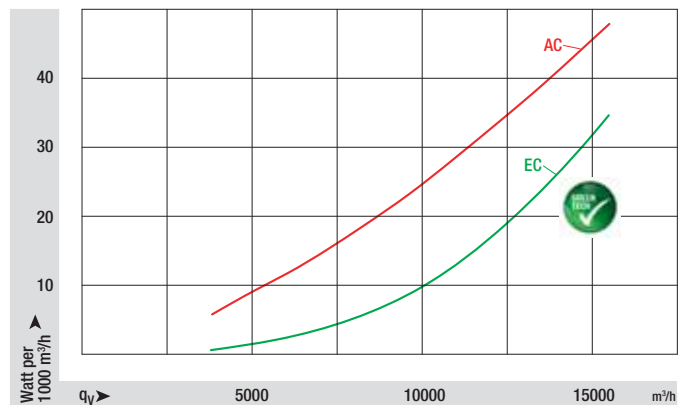


Figure: Comparison of specific fan power

EC axial fans "low pressure"

Ø 560 - Ø 990



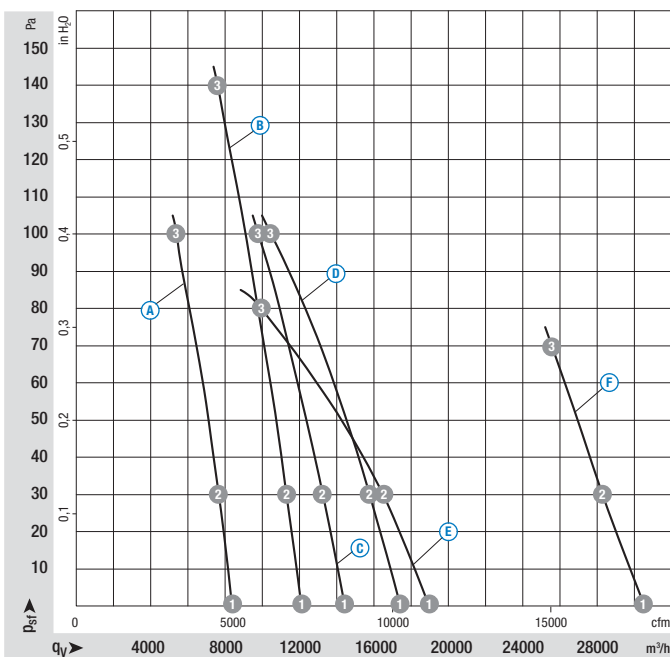
- **Material:** Carrying ring: Steel, galvanised, primed and coated in black plastic
Wall ring: Sheet steel, pre-galvanised, primed and coated in black plastic
Blades (5): **(B)(D)(E)** Pressed-on round sheet steel plate; **(A)(C)(F)** Insertion part made of sheet aluminium; Both versions are coated and extrusion-coated in PP plastics
Rotor: Primed and coated in black
Electronics enclosure: Die-cast aluminium, coated in black
- **Direction of rotation:** **(A)(B)(C)** clockwise, **(D)(E)(F)** counter-clockwise seen on rotor
- **Type of protection:** IP 54 (acc. to EN 60529)
- **Insulation class:** **(A)(B)(C)(D)(E)** "B" ("F" applying to the main components as per EN), **(F)** "F"
- **Mounting position:** Shaft horizontal or rotor on top
- **Condensate discharges:** Stator-side
- **Mode of operation:** Continuous operation (S1)
- **Bearings:** Maintenance-free ball bearings

Nominal data		Blade angle	Curve	Nominal voltage range	Frequency	Speed/rpm ⁽¹⁾	Max. Input power ⁽¹⁾	Max. Current draw ⁽¹⁾	Max. back pressure	Perm. amb. temp.	Mass without attachments	Technical features and electr. connections
Type	Motor			VAC	Hz	rpm	kW	A	Pa	°C	kg	
*3G 560	M3G 112-EA	-5°	(A)	1~ 200-277	50/60	1000	0,40	1,80	100	-25..+60	7,2	S. 27 / L3)
*3G 630	M3G 112-GA	-5°	(B)	1~ 200-277	50/60	1000	0,72	3,20	140	-25..+60	9,3	S. 27 / L3)
*3G 710	M3G 112-IA	0°	(C)	1~ 200-277	50/60	830	0,70	3,10	100	-25..+60	12,0	S. 27 / L3)
*3G 800	M3G 112-IA	0°	(D)	1~ 200-277	50/60	710	0,73	3,20	100	-25..+60	12,1	S. 27 / L3)
*3G 910	M3G 112-IA	0°	(E)	1~ 200-277	50/60	590	0,58	2,60	80	-25..+60	12,2	S. 27 / L3)
*3G 990	M3G 150-FF	-5°	(F)	1~ 200-277	50/60	820	1,39	6,10	70	-25..+50	22,7	S. 28 / L9)

subject to alterations

(1) Nominal data in operating point with maximum load and 230 VAC

Curves



Air performance measured as per: ISO 5801, Installation category A, in ebm-papst full nozzle without protection against accidental contact







Suction-side noise levels: L_{WA} as per ISO 13347, L_{pA} measured at 1 m distance to fan axis

The acoustic values given are only valid under the measurement conditions listed and may vary depending on the installation situation.

With any deviation to the standard setup, the specific values have to be checked and reviewed once installed or fitted!

For detailed information see page 30 ff.

	n rpm	P _e W	I A	L _{WA} dB(A)	SFP W/(1000m³/h)
(A) 1	1000	293	1,29	67	35,1
(A) 2	1000	331	1,46	66	43,3
(A) 3	1000	400	1,80	69	74,1
(B) 1	1000	462	2,11	71	38,2
(B) 2	1000	518	2,36	69	45,9
(B) 3	1000	720	3,20	71	94,8
(C) 1	830	448	2,10	69	31,1
(C) 2	830	525	2,41	68	39,6
(C) 3	830	700	3,10	73	71,5
(D) 1	710	462	2,15	70	26,5
(D) 2	710	541	2,49	67	34,3
(D) 3	710	730	3,20	69	69,6
(E) 1	590	346	1,64	67	18,2
(E) 2	590	445	2,07	65	27,0
(E) 3	590	580	2,60	71	58,5
(F) 1	820	1010	4,42	80	33,1
(F) 2	820	1170	5,10	79	41,3
(F) 3	820	1390	6,10	78	53,9

- **Technical features:** See electrical connections p. 27 ff.
- **EMC:**  Interference emission acc. to EN 61000-6-3
     Interference emission acc. to EN 61000-6-4
Interference immunity acc. to EN 61000-6-2
Harmonics acc. to EN 61000-3-2/3
- **Leakage current:** < 3.5 mA acc. to EN 61800-5-1
- **Terminal box:** Electrical connection via terminal strip
- **Protection class:** I (acc. to EN 61800-5-1)
- **Product conforming to standards:** CE
- **Approvals:** CCC; VDE, GOST are applied for; UL, CSA on request

Direction of air flow



"A" >



"A" >

	Without attachments	With full square nozzle
"A"	A3G 560-AP68 -35	W3G 560-DP68 -35
"A"	A3G 630-AQ37 -35	W3G 630-DQ37 -35
"A"	A3G 710-A085 -35	W3G 710-D085 -35
"A"	A3G 800-A081 -35	W3G 800-D081 -35
"A"	A3G 910-A084 -35	W3G 910-D084 -35
"A"	A3G 990-AW21 -55	W3G 990-DW21 -55

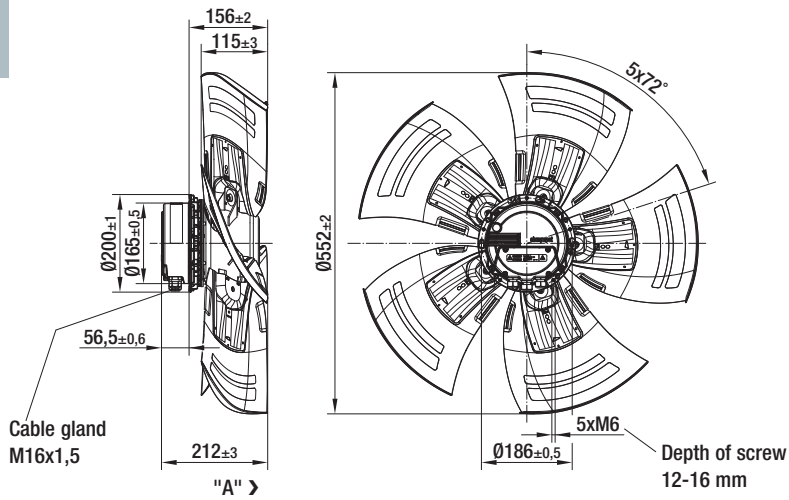
EC axial fans "low pressure"

Ø 560 with motor M3G112, drawings for direction of air flow "A"



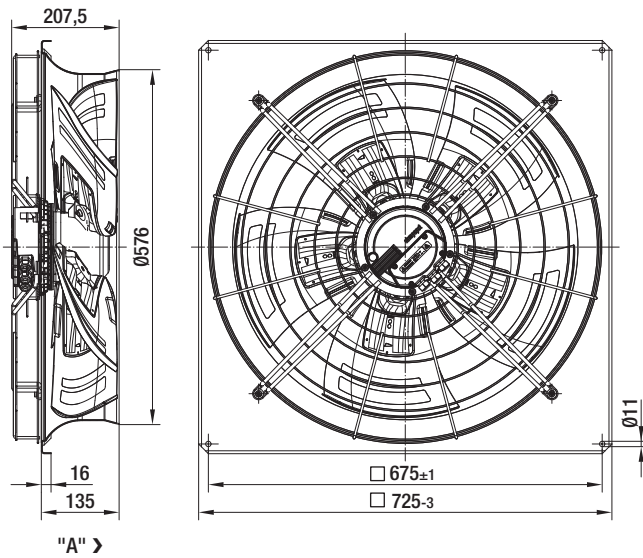
Without attachments

Type	Mass kg
A3G 560-AP68 -35	7,2



With full square nozzle

Type	Mass kg
W3G 560-DP68 -35	18,9



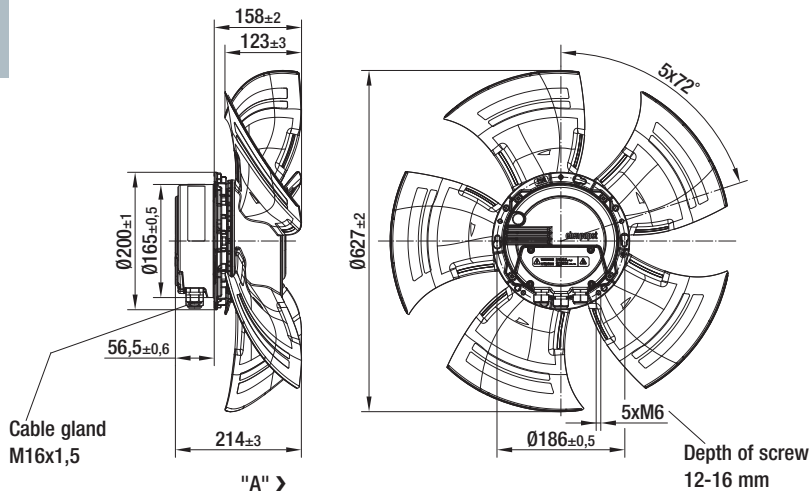
EC axial fans "low pressure"

Ø 630 with motor M3G112, drawings for direction of air flow "A"



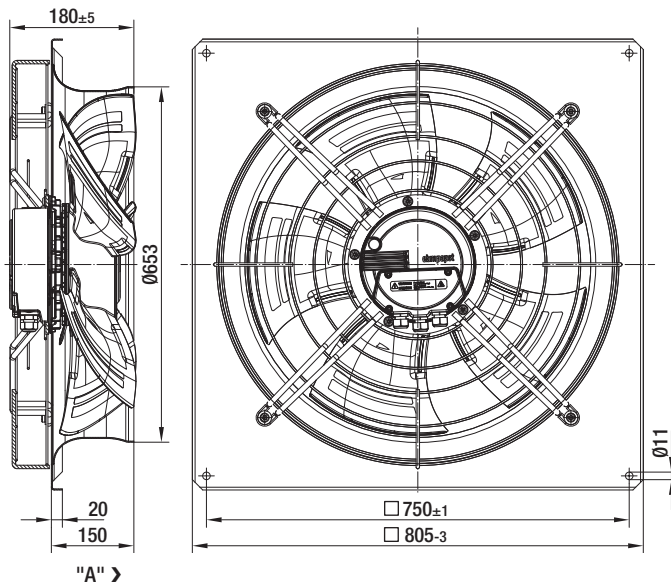
Without attachments

Type	Mass kg
A3G 630-AQ37 -35	9,3



With full square nozzle

Type	Mass kg
W3G 630-DQ37 -35	24,3



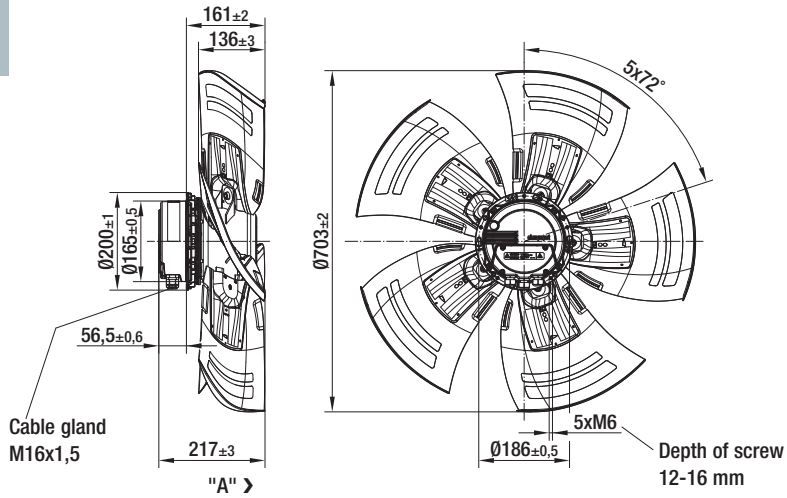
EC axial fans "low pressure"

Ø 710 with motor M3G112, drawings for direction of air flow "A"



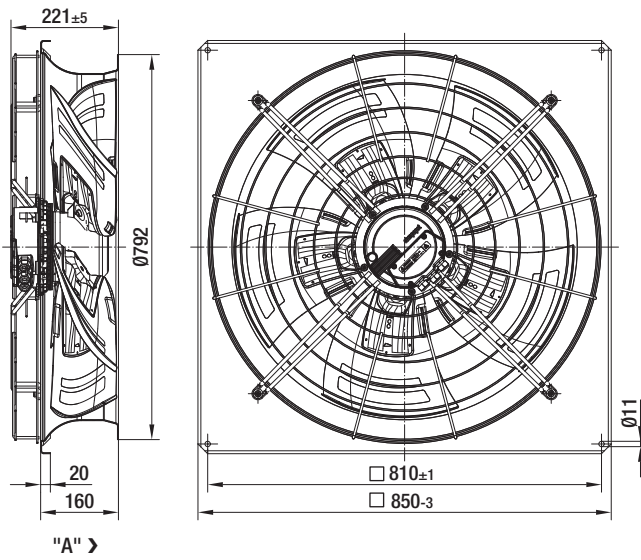
Without attachments

Type	Mass kg
A3G 710-A085 -35	12,0



With full square nozzle

Type	Mass kg
W3G 710-D085 -35	26,9



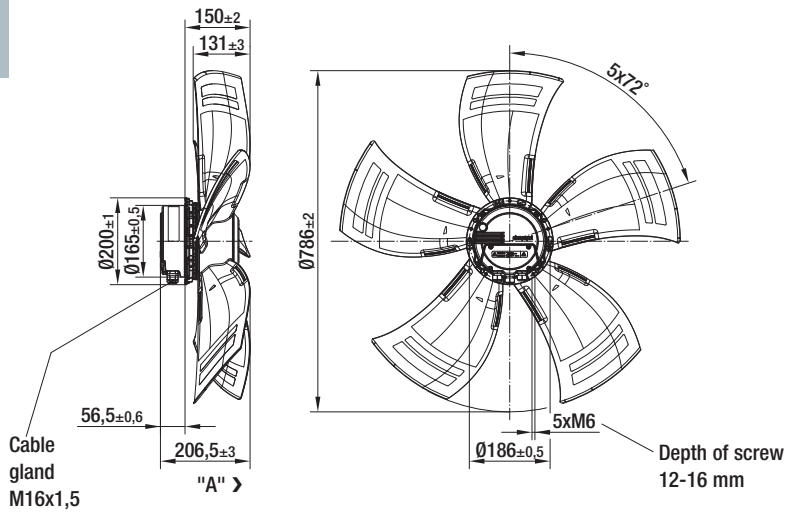
EC axial fans "low pressure"

Ø 800 with motor M3G112, drawings for direction of air flow "A"



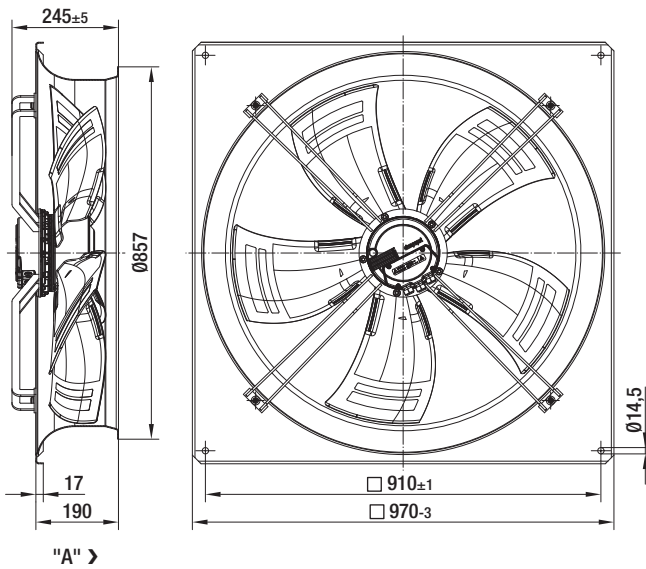
Without attachments

Type	Mass kg
A3G 800-A081 -35	12,1



With full square nozzle

Type	Mass kg
W3G 800-D081 -35	33,3



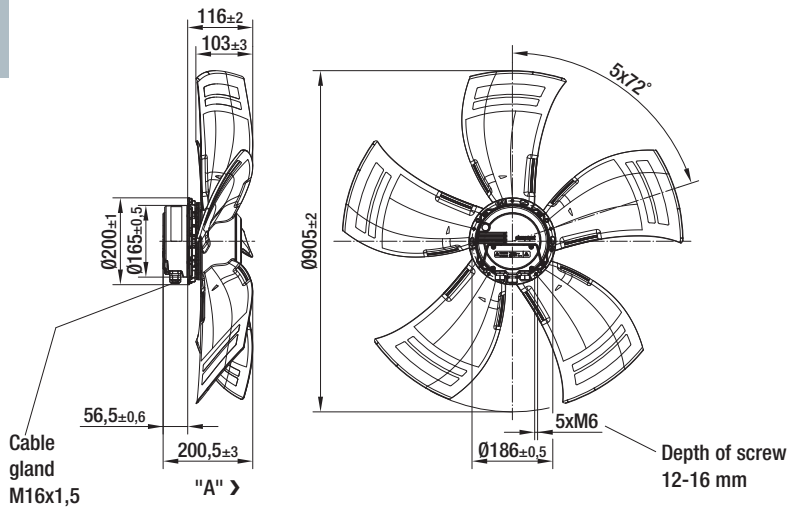
EC axial fans "low pressure"

Ø 910 with motor M3G112, drawings for direction of air flow "A"



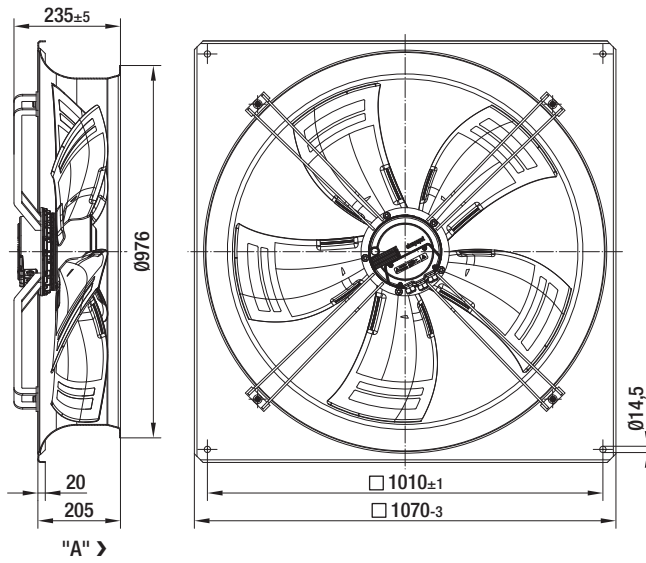
Without attachments

Type	Mass kg
A3G 910-A084 -35	12,2



With full square nozzle

Type	Mass kg
W3G 910-D084 -35	37,0



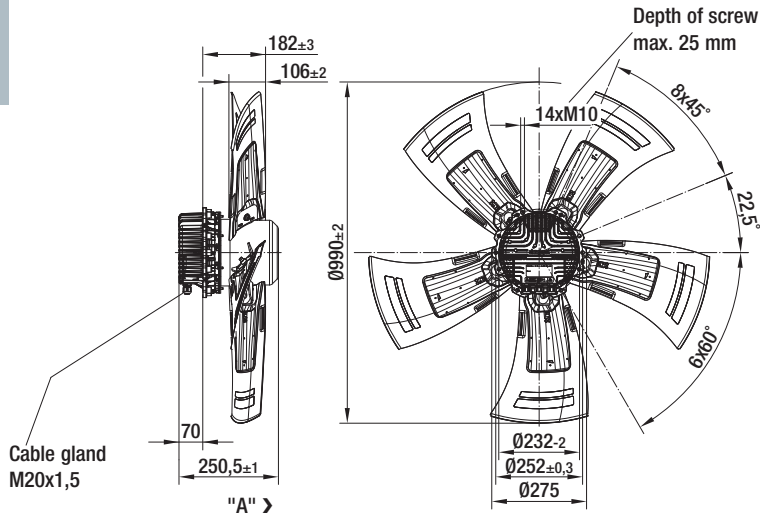
EC axial fans "low pressure"

Ø 990 with motor M3G150, drawings for direction of air flow "A"



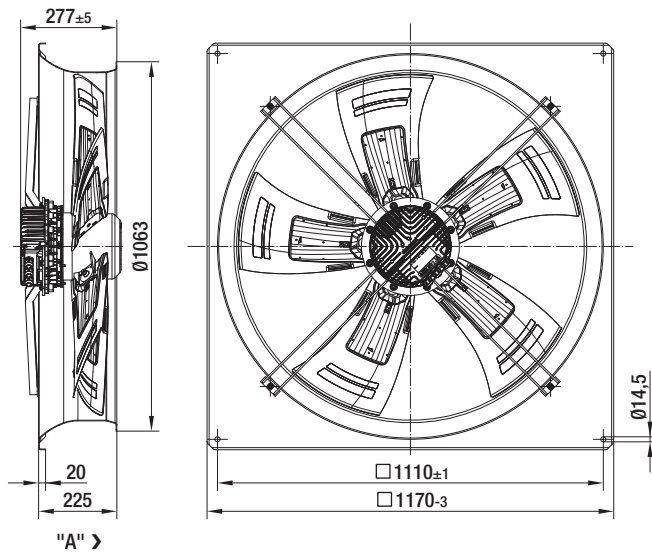
Without attachments

Type	Mass kg
A3G 990-AW21 -55	22,7



With full square nozzle

Type	Mass kg
W3G 990-DW21 -55	52,9



EC axial fans "high pressure"

Ø 500 - Ø Z50



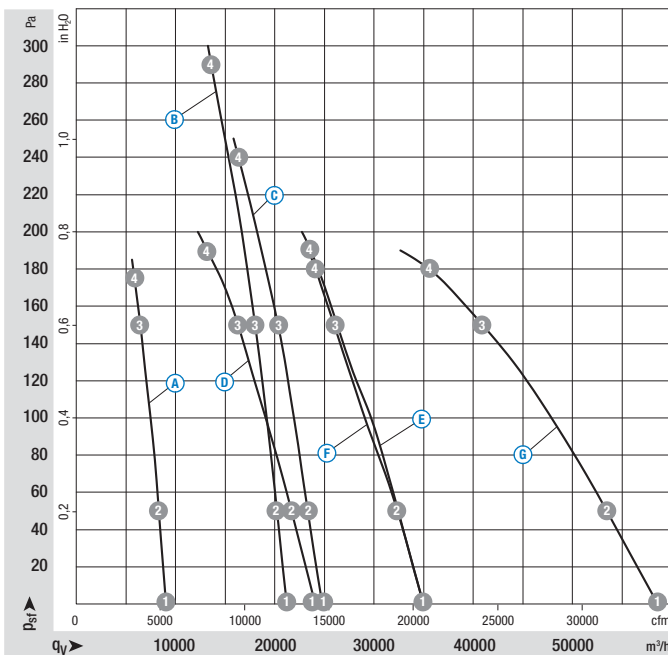
- **Material:** Carrying ring: Steel, galvanised, primed and coated in black plastic
Wall ring: Sheet steel, pre-galvanised, primed and coated in black plastic
Blades (5): (A) Pressed-on round sheet steel plate; (B) (C) (D) (E) (F) (G) Insertion part made of sheet aluminium; Both versions are coated and extrusion-coated in PP plastics
Rotor: Primed and coated in black
Electronics enclosure: Die-cast aluminium, coated in black
- **Direction of rotation:** (A) clockwise, (B) (C) (D) (E) (F) (G) counter-clockwise seen on rotor
- **Type of protection:** IP 54 (acc. to EN 60529)
- **Insulation class:** (A) "B" ("F" applying to the main components as per EN), (B) (C) (D) (E) (F) (G) "F"
- **Mounting position:** Shaft horizontal or rotor on top
- **Condensate discharges:** Stator-side
- **Mode of operation:** Continuous operation (S1)
- **Bearings:** Maintenance-free ball bearings

Nominal data		Blade angle	Curve	Nominal voltage range	Frequency	Speed/rpm ⁽¹⁾	Max. Input power ⁽¹⁾	Max. Current draw ⁽¹⁾	Max. back pressure	Perm. amb. temp.	Mass without attachments	Technical features and electr. connections
Type	Motor			VAC	Hz	rpm	kW	A	Pa	°C	kg	
*3G 500	M3G 112-EA	0°	(A)	1~ 200-277	50/60	1420	0,75	3,40	175	-25..+60	7,2	S. 27 / L3)
*3G 630	M3G 150-IF	0°	(B)	3~ 380-480	50/60	1510	3,20	5,00	290	-25..+65	24,4	S. 26 / L5)
*3G 710	M3G 150-IF	0°	(C)	3~ 380-480	50/60	1250	2,83	4,30	240	-25..+60	25,3	S. 26 / L5)
*3G 800	M3G 150-GF	0°	(D)	3~ 380-480	50/60	925	1,85	2,85	190	-25..+60	23,0	S. 26 / L5)
*3G 910	M3G 150-NA	0°	(E)	3~ 380-480	50/60	1000	2,88	4,40	190	-25..+65	30,9	S. 26 / L5)
*3G 990	M3G 150-NA	-5°	(F)	3~ 380-480	50/60	960	2,58	4,00	180	-25..+70	31,2	S. 26 / L5)
*3G Z50	M3G 200-LA	0°	(G)	3~ 380-480	50/60	645	4,10	6,70	180	-25..+60	66,0	S. 26 / L5)

subject to alterations

(1) Nominal data in operating point with maximum load and 230 VAC or 400 VAC

Curves



Air performance measured as per: ISO 5801, Installation category A, in ebm-papst full nozzle without protection against accidental contact

Suction-side noise levels: L_{WA} as per ISO 13347, L_PA measured at 1 m distance to fan axis

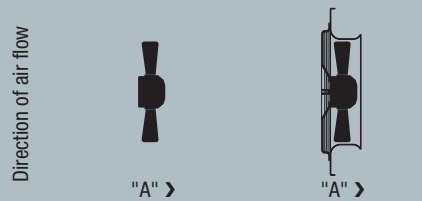
The acoustic values given are only valid under the measurement conditions listed and may vary depending on the installation situation.

With any deviation to the standard setup, the specific values have to be checked and re-viewed once installed or fitted!

For detailed information see page 30 ff.

	n rpm	P _e W	I A	L _{WA} dB(A)	SFP W/(1000m³/h)
(A) 1	1420	549	2,52	79	60,6
(A) 2	1420	602	2,74	77	72,1
(A) 3	1420	705	3,20	73	109,5
(A) 4	1420	750	3,40	74	126,6
(B) 1	1510	2484	3,77	81	117,2
(B) 2	1510	2625	4,00	81	129,7
(B) 3	1510	2863	4,40	81	158,7
(B) 4	1510	3200	5,00	85	234,4
(C) 1	1250	2226	3,40	79	89,8
(C) 2	1250	2330	3,54	79	99,8
(C) 3	1250	2621	4,00	79	128,9
(C) 4	1250	2830	4,30	83	173,2
(D) 1	925	1221	1,85	72	50,7
(D) 2	925	1370	2,07	72	63,2
(D) 3	925	1661	2,50	76	101,7
(D) 4	925	1850	2,85	80	140,2

- **Technical features:** See electrical connections p. 26 ff.
- **EMC:** ⓑ Ⓒ Ⓓ Ⓔ Ⓕ Ⓖ Interference emission acc. to EN 61000-6-3
 Ⓐ Interference emission acc. to EN 61000-6-4
 Interference immunity acc. to EN 61000-6-2
 Harmonics acc. to EN 61000-3-2/3
- **Leakage current:** < 3.5 mA acc. to EN 61800-5-1
- **Terminal box:** Electrical connection via terminal strip
- **Protection class:** I (acc. to EN 61800-5-1)
- **Product conforming to standards:** CE
- **Approvals:** Ⓐ CCC; VDE, GOST are applied for; UL, CSA on request
 ⓑ Ⓒ Ⓓ Ⓔ Ⓕ Ⓖ CCC, UL, CSA; VDE, GOST are applied for



	Without attachments	With full square nozzle
"A"	A3G 500-AM56 -35	W3G 500-DM56 -35
"A"	A3G 630-AU23 -35	W3G 630-DU23 -35
"A"	A3G 710-AU21 -35	W3G 710-DU21 -35
"A"	A3G 800-AT21 -35	W3G 800-DT21 -35
"A"	A3G 910-AV02 -35	W3G 910-DV02 -35
"A"	A3G 990-AZ02 -35	W3G 990-DZ02 -35
"A"	A3G Z50-AB02 -35	W3GZ50 -CB02 -35*

* with full round nozzle

	n rpm	P _e W	I A	L _{WA} dB(A)	P _{spez.} Wh/1000m ³
Ⓔ ①	1000	1922	2,91	79	55,0
Ⓔ ②	1000	2194	3,35	78	67,6
Ⓔ ③	1000	2672	4,53	83	101,8
Ⓔ ④	1000	2880	4,40	82	122,1
Ⓕ ①	960	1492	2,27	85	42,6
Ⓕ ②	960	1833	2,78	83	56,6
Ⓕ ③	960	2428	3,70	84	93,4
Ⓕ ④	960	2580	4,00	85	107,3
Ⓖ ①	645	2694	4,64	79	46,0
Ⓖ ②	645	3079	5,20	78	57,6
Ⓖ ③	645	3825	6,33	80	93,3
Ⓖ ④	645	4100	6,70	83	115,3

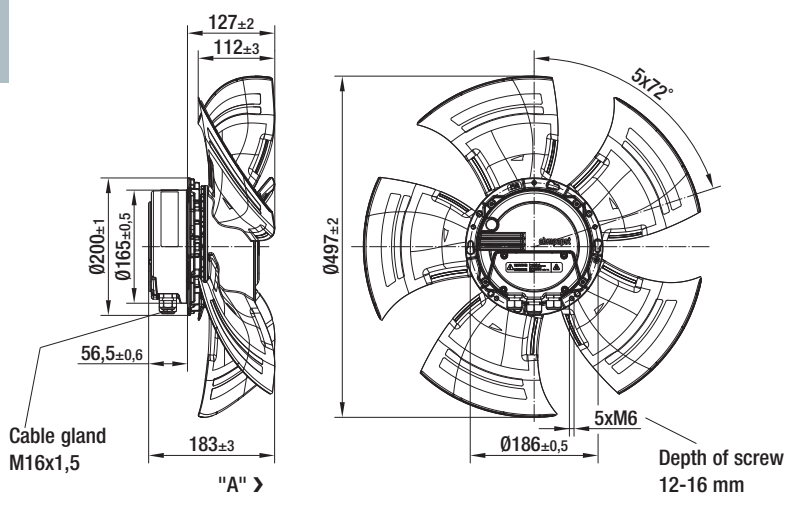
EC Axialventilatoren "high pressure"

Ø 500 with motor M3G112, drawings for direction of air flow "A"



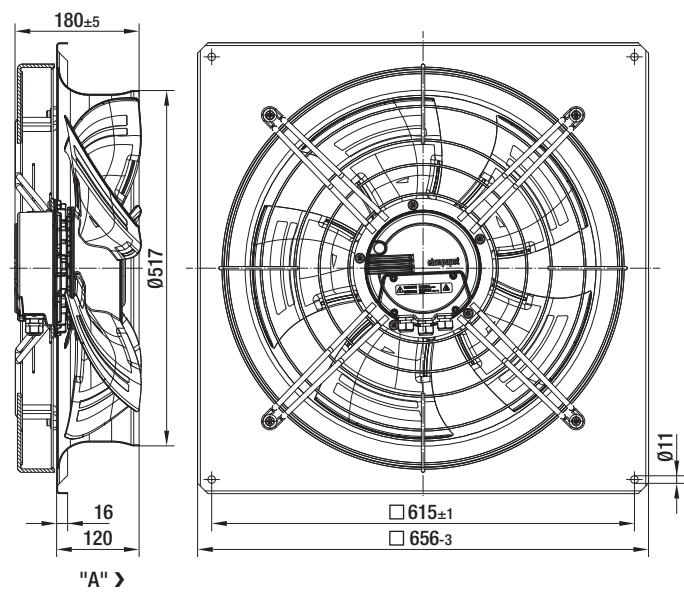
Without attachments

Type	Mass kg
A3G 500-AM56 -35	7,2



With full square nozzle

Type	Mass kg
W3G 500-DM56 -35	17,2



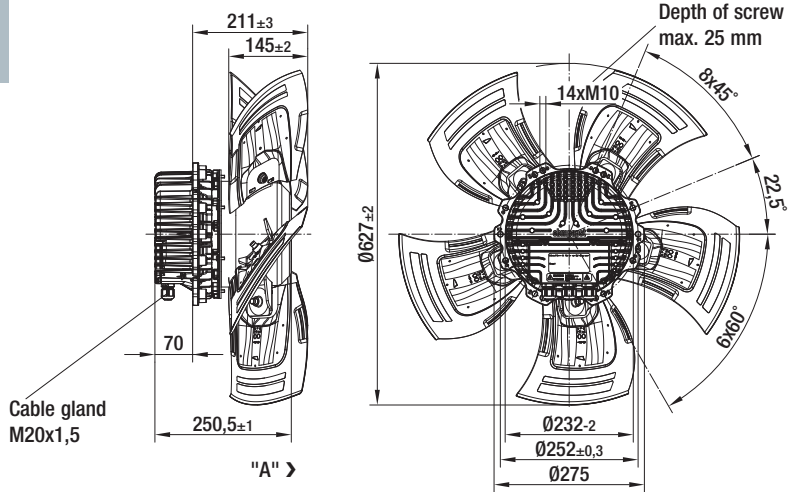
EC Axialventilatoren "high pressure"

Ø 630 with motor M3G150, drawings for direction of air flow "A"



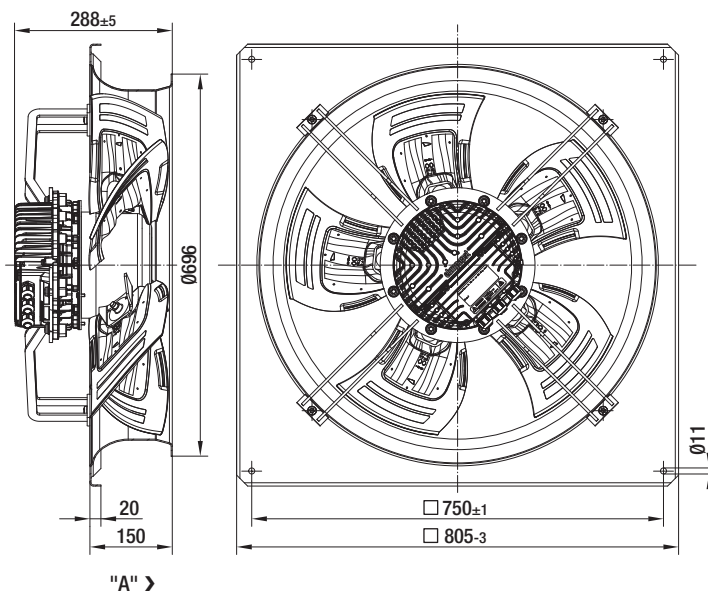
Without attachments

Type	Mass kg
A3G 630-AU23 -35	24,4



With full square nozzle

Type	Mass kg
W3G 630-DU23 -35	39,5



EC Axialventilatoren "high pressure"

Ø 710 with motor M3G150, drawings for direction of air flow "A"

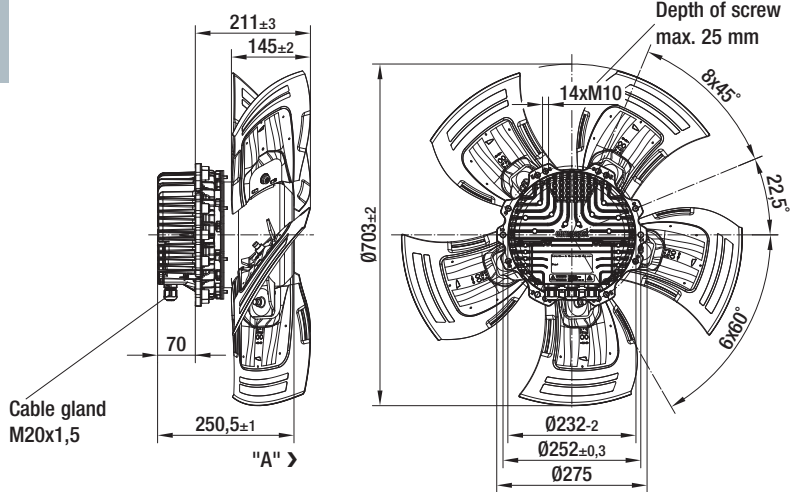


Without attachments

Type

Mass
kg

A3G 710-AU21 -35 25,3

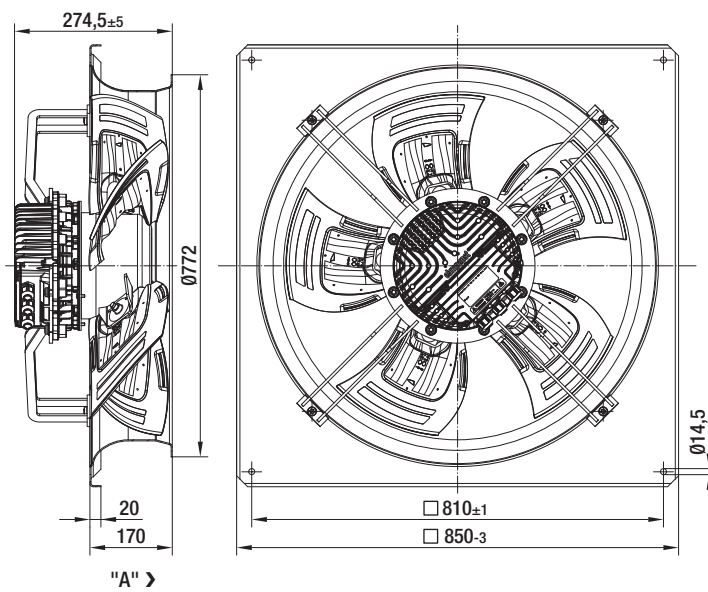


With full square nozzle

Type

Mass
kg

W3G 710-DU21 -35 42,4



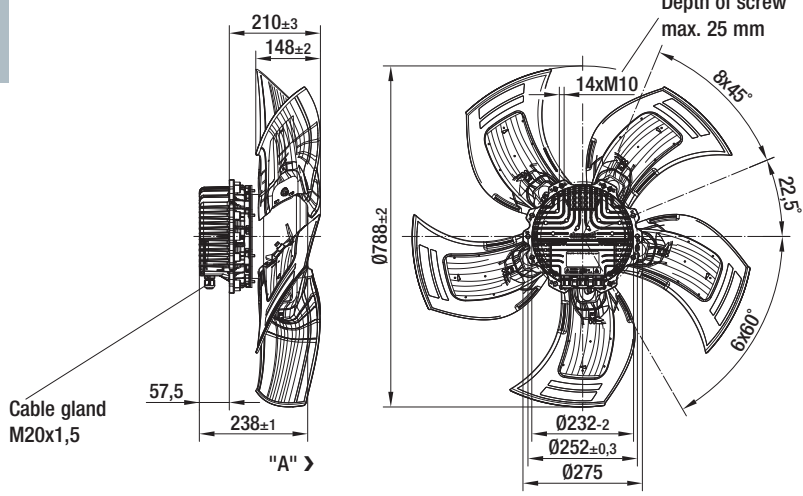
EC Axialventilatoren "high pressure"

Ø 800 with motor M3G150, drawings for direction of air flow "A"



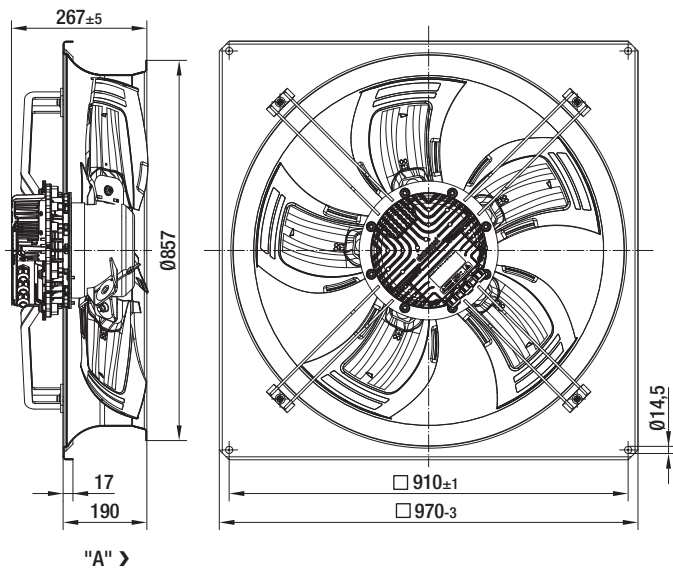
Without attachments

Type	Mass kg
A3G 800-AT21 -35	23,0



With full square nozzle

Type	Mass kg
W3G 800-DT21 -35	42,8



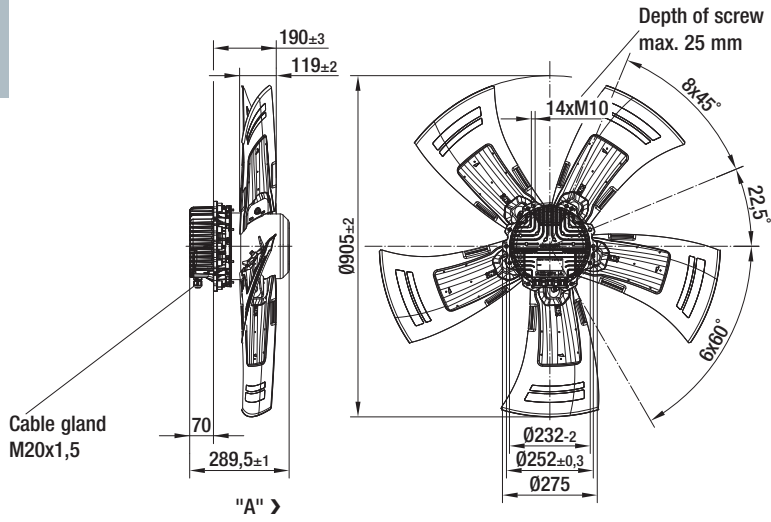
EC Axialventilatoren "high pressure"

Ø 910 with motor M3G150, drawings for direction of air flow "A"



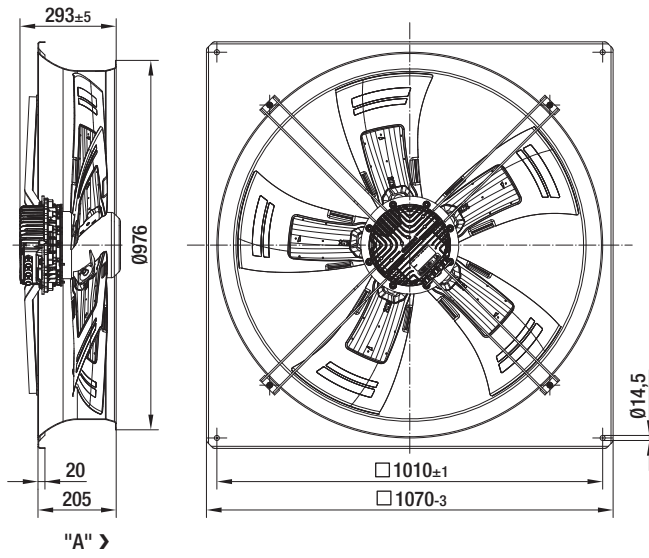
Without attachments

Type	Mass kg
A3G 910-AV02 -35	30,9



With full square nozzle

Type	Mass kg
W3G 910-DV02 -35	56,1



EC Axialventilatoren "high pressure"

Ø 990 with motor M3G150, drawings for direction of air flow "A"

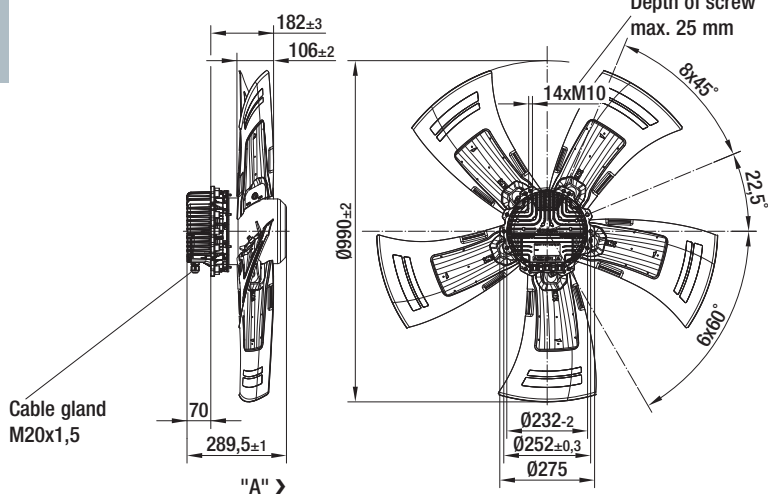


Without attachments

Type

Mass
kg

A3G 990-AZ02 -35 31,2

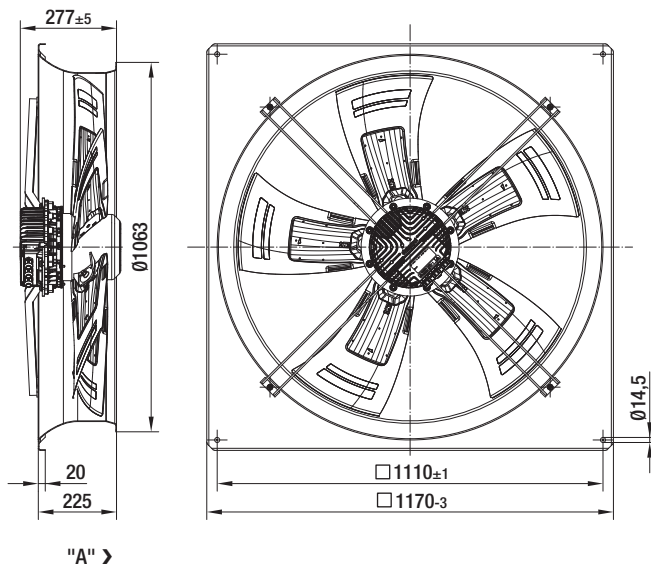


With full square nozzle

Type

Mass
kg

W3G 990-DZ02 -35 61,4



EC Axialventilatoren "high pressure"

Ø Z50 with motor M3G 200, drawings for direction of air flow "A"

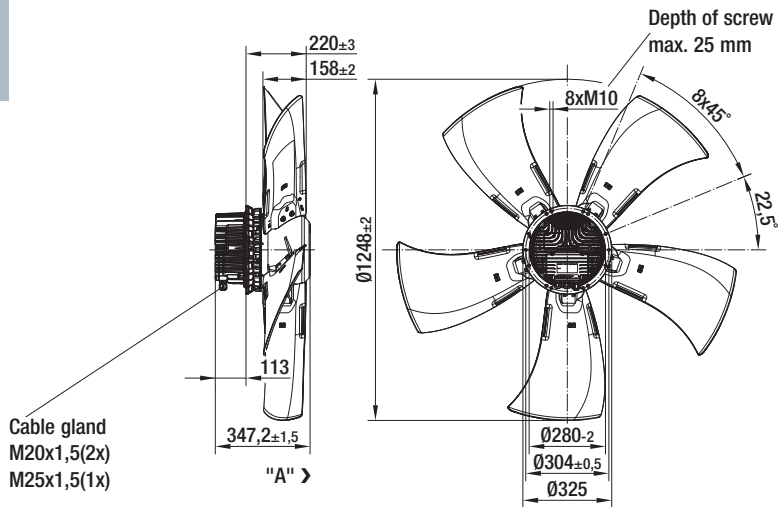


Without attachments

Type

Mass
kg

A3G Z50-AB02 -35 66,0

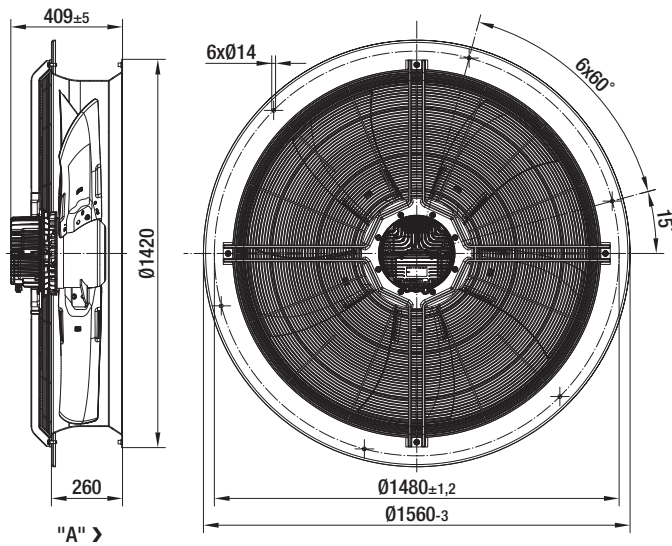


mit runder Voldüse

Type

Mass
kg

W3G Z50-CB02 -35 137,0

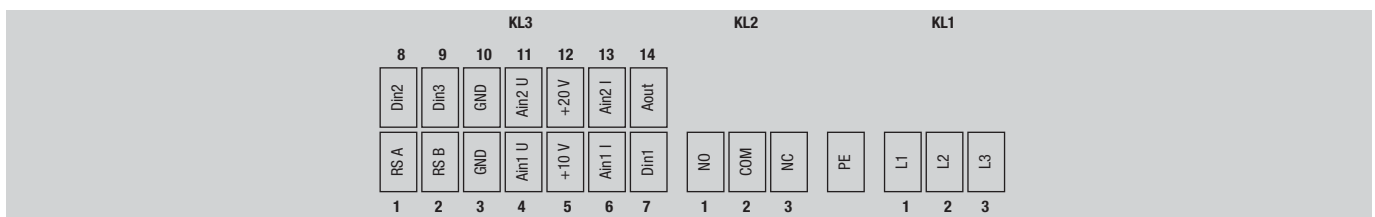


Electrical connections EC

L5)

Technical features:

- PFC (passive)
- Integrated PID controller
- Control input 0-10 VDC or 4-20 mA
- Input for sensor 0-10 V or 4-20 mA
- Slave output 0-10 V max. 5 mA
- Output 20 VDC ($\pm 25\%$ / -10%) max. 50 mA
- Output 10 VDC ($+3\%$) max. 10 mA
- RS485 MODBUS
- Motor current limitation, alarm relay
- Line undervoltage / phase failure detection
- Electronics / motor overtemperature protection
- Locked-rotor protection, soft start
- Digital inputs for day/night switch, enabling, cooling / heating



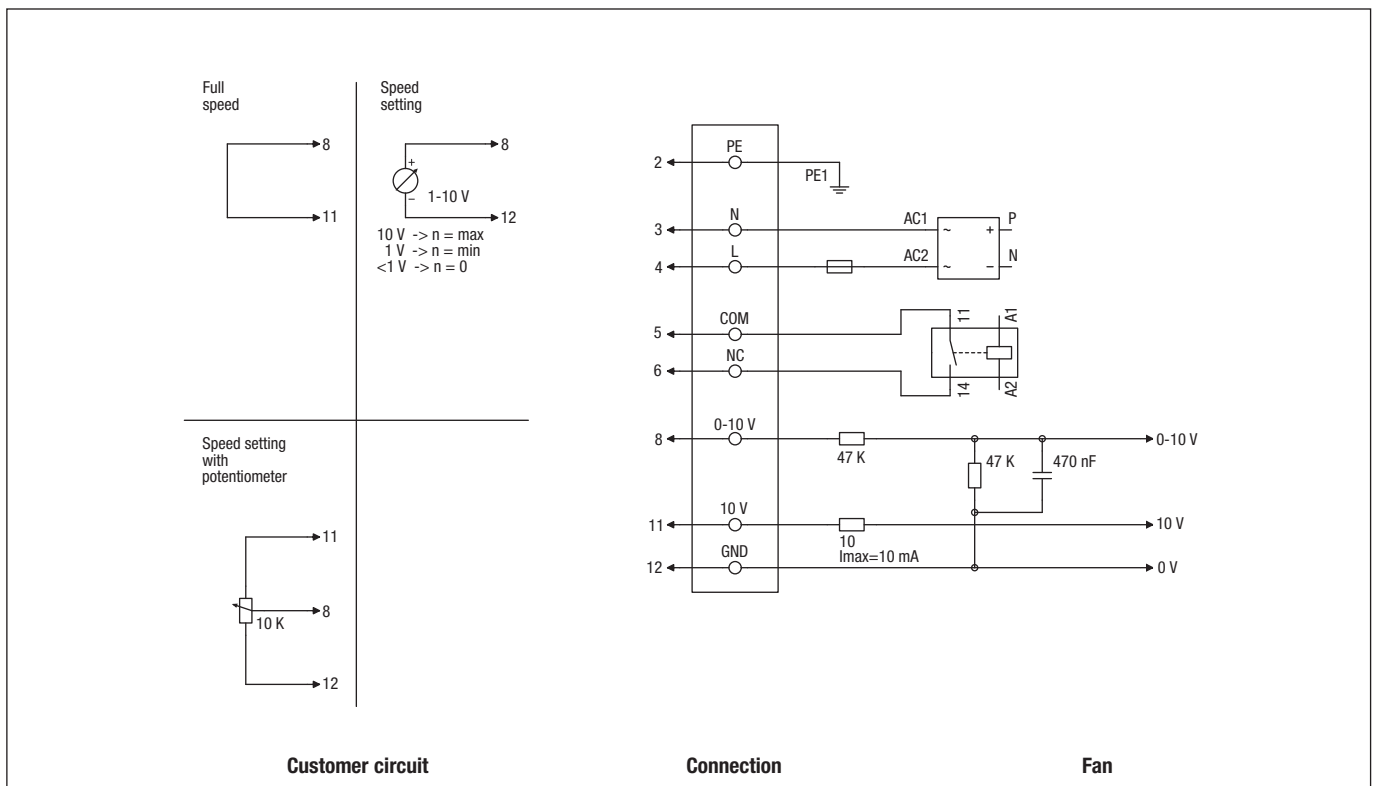
Connector	Pin	Connection	Assignment / function
KL1	1	L1	Mains supply connection, supply voltage 3~380-480 VAC; 50/60 Hz
	2	L2	Mains supply connection, supply voltage 3~380-480 VAC; 50/60 Hz
	3	L3	Mains supply connection, supply voltage 3~380-480 VAC; 50/60 Hz
PE		PE	Earth connection, PE connection
KL2	1	NO	Status relay, floating status contact; normally open; close with error
	2	COM	Status relay; floating status contact; changeover contact; common connection; contact rating 250 VAC / 2 A (AC1)
	3	NC	Status relay, floating status contact; break with error
KL3	1	RSA	Bus connection RS485; RSA; MODBUS RTU
	2	RSB	Bus connection RS485; RSB; MODBUS RTU
	3/10	GND	Signal ground for control interface KL3
	4	Ain1 U	Analogue input 1 (set value); 0-10 V; Ri= 100 k Ω ; parametrisable curves; only usable as alternative to input Ain1 I
	5	+10 V	Fixed voltage output 10 VDC; + 10 V $\pm 3\%$; max. 10 mA; short circuit proof; power supply for ext. devices (e.g. potentiometer)
	6	Ain1 I	Analogue input 1 (set value); 4-20 mA; Ri= 100 Ω ; parametrisable curves; only usable as alternative to input Ain1 U
	7	Din1	Digital input 1: enabling of electronics; enabling: open pin or applied voltage 5 to 50 VDC; disabling: bridge to GND or applied voltage < 1 VDC; reset function: triggers software reset after a level change to < 1 V
	8	Din2	Digital input 2: parameter set switch 1/2; according to EEPROM setting, the valid/used parameter set is selectable per BUS or per digital input DIN2. Parameter set 1: open pin or applied voltage 5 to 50 VDC; parameter set 2: bridge to GND or applied voltage < 1 VDC
	9	Din3	Digital input 3: Control characteristic of the integrated controller; according to EEPROM setting, the control characteristic of the integrated controller is normally/inversely selectable per BUS or per digital input; normal: open pin or applied voltage 5 to 50 VDC (control deviation = actual sensor value - set value) inverse: bridge to GND or applied voltage < 1 VDC (control deviation = set value - actual sensor value)
	11	Ain2 U	Analogue input 2 (actual sensor value); 0-10 V; Ri= 100 k Ω ; parametrisable curve; only usable as alternative to input Ain2 I
	12	+20 V	Fixed voltage output 20 VDC; + 20 V $\pm 25\%$ / -10% ; max. 50 mA; short circuit proof; power supply for ext. devices (e.g. sensors)
	13	Ain2 I	Analogue input 2 (actual sensor value); 4-20 mA; Ri= 100 Ω ; parametrisable curve; only usable as alternative to input Ain2 U
	14	Aout	Analogue output 0-10 V; max. 5 mA; output of the actual motor control factor (output voltage of electronics)/of the actual motor speed; function selectable per bus; parametrisable curve.

Electrical connections EC

L3)

Technical features:

- PFC (active)
- Control input 0-10 VDC / PWM
- Output 10 VDC max. 10 mA
- alarm relay
- Electronics / motor overtemperature protection
- Line undervoltage detection
- Motor current limitation
- Locked-rotor protection, soft start



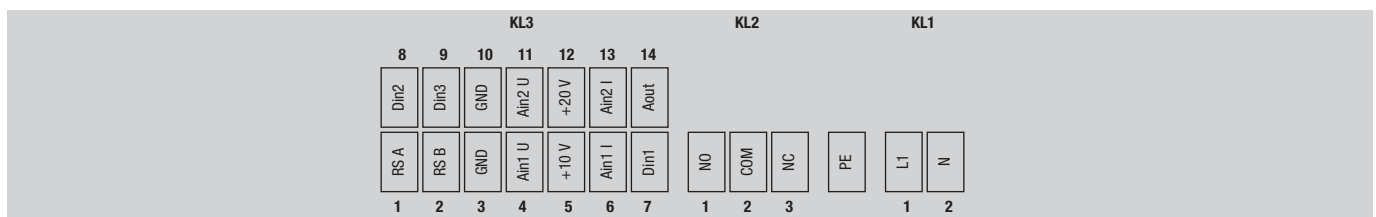
Line	No.	Connection	Colour	Assignment / function
1	2	PE	green/yel.	Earth connection, PE connection
1	3	N	blue	Mains supply connection, supply voltage 1~200-277 VAC; 50/60 Hz; neutral
1	4	L	black	Mains supply connection, supply voltage 1~200-277 VAC; 50/60 Hz; phase
1	5	COM	white1	Status relay; floating status contact; changeover contact; common connection; contact rating 250 VAC / 2 A (AC1)
1	6	NC	white2	Status relay, floating status contact; option 1: break with error; option 2: break with error for run monitor error message
2	8	0-10 V	yellow	Control input, set value 0-10 VDC, impedance 100 kΩ, SELV
2	11	+10 V	red	Fixed voltage output 10 VDC (+/- 3%), max. 10 mA, supply voltage for external devices (e.g. potentiometer), SELV
2	12	GND	blue	Reference mass for control interface, SELV

Electrical connections EC

L9)

Technical features:

- PFC (active)
- Integrated PID controller
- Control input 0-10 VDC / PWM
- Input for sensor 0-10 V or 4-20 mA
- Slave output 0-10 V max. 5 mA
- Output 20 VDC ($\pm 25\%$ / -10%) max. 50 mA
- Output 10 VDC ($+3\%$) max. 10 mA
- RS485 MODBUS
- alarm relay
- Line undervoltage / phase failure detection
- Motor current limitation
- Electronics / motor overtemperature protection
- Locked-rotor protection
- soft start



Connector	Pin	Connection	Assignment / function
KL1	1	L1	Mains supply connection, supply voltage 1~200-277 VAC; 50/60 Hz; phase
	2	N	Mains supply connection, supply voltage 1~200-277 VAC; 50/60 Hz; neutral
PE	PE	PE	Earth connection, PE connection
KL2	1	NO	Status relay, floating status contact; option 1: close with error; option 2: close with run monitor error message
	2	COM	Status relay; floating status contact; changeover contact; common connection; contact rating 250 VAC / 2 A (AC1)
	3	NC	Status relay, floating status contact; option 1: break with error; option 2: break with error for run monitor error message
KL3	1	RSA	Bus connection RS485; RSA; MODBUS RTU
	2	RSB	Bus connection RS485; RSB; MODBUS RTU
	3/10	GND	Signal ground for control interface KL3; SELV
	4	Ain1 U	Analogue input 1 (set value); 0-10 V; Ri= 100 k Ω ; parametrisable curves; only usable as alternative to input Ain1 I
	5	+10 V	Fixed voltage output 10 VDC; + 10 V $\pm 3\%$; max. 10 mA; short circuit proof; power supply for ext. devices (e.g. potentiometer)
	6	Ain1 I	Analogue input 1 (set value); 4-20 mA; Ri= 100 Ω ; parametrisable curves; only usable as alternative to input Ain1 U
	7	Din1	Digital input 1: enabling of electronics; enabling: open pin or applied voltage 5 to 50 VDC; disabling: bridge to GND or applied voltage < 0,8 VDC; reset function: triggers software reset after a level change to < 0,8 V
	8	Din2	Digital input 2: parameter set switch 1/2; according to EEPROM setting, the valid/used parameter set is selectable per BUS or per digital input DIN2. Parameter set 1: open pin or applied voltage 5 to 50 VDC; parameter set 2: bridge to GND or applied voltage < 0,8 VDC
	9	Din3	Digital input 3: Control characteristic of the integrated controller; according to EEPROM setting, the control characteristic of the integrated controller is normally/inversely selectable per BUS or per digital input; normal: open pin or applied voltage 5 to 50 VDC (control deviation = actual sensor value - set value) inverse: bridge to GND or applied voltage < 0,8 VDC (control deviation = set value - actual sensor value)
	11	Ain2 U	Analogue input 2 (actual sensor value); 0-10 V; Ri= 100 k Ω ; parametrisable curve; only usable as alternative to input Ain2 I
	12	+20 V	Fixed voltage output 20 VDC; + 20 V $\pm 25\%$ / -10% ; max. 50 mA; short circuit proof; power supply for ext. devices (e.g. sensors)
	13	Ain2 I	Analogue input 2 (actual sensor value); 4-20 mA; Ri= 100 Ω ; parametrisable curve; only usable as alternative to input Ain2 U
	14	Aout	Analogue output 0-10 V; max. 5 mA; output of the actual motor control factor (output voltage of electronics)/of the actual motor speed; function selectable per bus; parametrisable curve.

Technical parameters & scope



High standards for all ebm-papst products

Here at ebm-papst, we constantly strive to further improve our products in order to be able to offer you the best possible product for your application. Careful monitoring of the market ensures that technical innovations are reflected in the improvements of our products.

Based on the technical parameters listed below and the ambience you want our product to operate in, we here at ebm-papst can always work out the best solution for your specific application.

■ General performance parameters

Any deviations from the technical data and parameters described here are listed on the product-specific data sheet.

Type of protection

The type of protection is specified in the product-specific data sheets.

Insulation class

The insulation class is specified in the product-specific data sheets.

Mounting position

The mounting position is specified in the product-specific data sheets.

Condensate discharge holes

Information on the condensate discharge holes is provided in the product-specific data sheets.

Mode of operation

The mode of operation is specified in the product-specific data sheets.

Protection class

The protection class is specified in the product-specific data sheets.

Service life

The service life of ebm-papst products depends on two major factors:

- The service life of the insulation system
- The service life of the bearing system

The service life of the insulation system mainly depends on voltage level, temperature and ambient conditions, such as humidity and condensation. The service life of the bearing system depends mainly on the thermal load on the bearing.

The majority of our products use maintenance-free ball bearings for any mounting position possible. As an option, sleeve bearings can be used, which is indicated on the product-specific data sheet wherever applicable.

The service life L10 of the ball bearings can be taken as approx. 40,000 operating hours at an ambient temperature of 40 °C, yet this estimate can vary according to the actual ambient conditions.

We will gladly provide you with a lifetime calculation taking into account your specific operating conditions.

Motor protection / thermal protection

Information on motor protection and thermal protection is provided in the product-specific data sheets.

Depending on motor type and field of application, the following protective features are realised:

- Thermal overload protection (TOP), either in-circuit or external
- PTC with electronic diagnostics
- Impedance protection
- Thermal overload protection (TOP) with electronic diagnostics
- Current limitation via electronics

If an external TOP is connected, the customer has to make sure to connect a conventional trigger device for switching it off.

Products without fitted TOP and without protection against improper use, a motor protection complying with the valid standards has to be installed.

*Left: Endurance test room
Middle: Shock test
Right: Chamber test rig*



■ Mechanical strain / performance parameters

All ebm-papst products are subjected to comprehensive tests complying with the normative specifications. In addition to this, the tests also reflect the vast experience and expertise of ebm-papst.

Vibration test

Vibration tests are carried out in compliance with

- Vibration test in operation according to DIN IEC 68, parts 2-6
- Vibration test at standstill according to DIN IEC 68, parts 2-6

Shock load

Shock load tests are carried out in compliance with

- Shock load according to DIN IEC 68, parts 2-27

Balancing quality

Testing the balancing quality is carried out in compliance with

- Residual imbalance according to DIN ISO 1940
- Standard balancing quality level G 6.3

Should you require a higher balancing quality level for your specific application, please let us know and specify this when ordering your product.

■ Chemo-physical strain / performance parameters

Should you have questions about chemo-physical strain, please direct them to your ebm-papst contact.

■ Fields of application, industries and applications

Our products are used in various industries and applications:

Ventilation, air-conditioning and refrigeration technology, clean room technology, automotive and rail technology, medical and laboratory technology, electronics, computer and office technology, telecommunications, household appliances, heating, machines and plants, drive engineering. Our products are not designed for use in the aviation and aerospace industry!

■ Legal and normative directives

The products described in this catalogue are designed, developed and produced in keeping with the standards in place for the relevant product and, if known, the conditions governing the relevant fields of application.

Standards

Information on standards is provided in the product-specific data sheets.

EMC

Information on EMC standards is provided in the product-specific data sheets.

Complying with the EMC standards has to be established on the final appliance, as different mounting situations can result in changed EMC properties.

Leakage current

Information on the leakage current is provided in the product-specific data sheets.

Measuring is according to IEC 60990.

Approvals

In case you require a specific approval for your ebm-papst product (VDE, UL, GOST, CCC, CSA, etc.) please let us know.

Most of our products can be supplied with the relevant approval.

Information on existing approvals is provided in the product-specific data sheets.

■ Air performance measurements

All air performance measurements are carried out on suction side and on chamber test beds conforming to the specifications as per ISO 5801 and DIN 24163. The fans under test are installed in the measuring chamber at free air intake and exhaust (installation category A) and are operated at nominal voltage, with AC also at nominal frequency, and without any additional components such as guard grilles.

As required by the standard, the air performance curves correspond to an air density of 1.2 kg/m³.

Room for precision noise measuring



Measurement conditions for air and noise measurement

ebm-papst products are measured under the following conditions:

- Axial and diagonal fans in direction of rotation “V” in full nozzle and without guard grille
- Backward curved centrifugal fans, free-running and with inlet nozzle
- Forward curved single and dual inlet centrifugal fans with housing

Noise measurements

All noise measurements are carried out in low-reflective test rooms with reverberant floor. Thus the ebm-papst acoustic test chambers meet the requirements of precision class 1 according to DIN EN ISO 3745. For noise measurement, the fans being tested are placed in a reverberant wall and operated at nominal voltage (for AC, also at nominal frequency) without additional attachments such as the guard grille.

Sound pressure level and sound level

All acoustic values are established according to ISO 13347, DIN 45635 and ISO 3744/3745 to accuracy class 2 and given in A-rated form.

When the sound pressure level (L_p) is measured, the microphone is on the intake side of the fan being tested, usually at a distance of 1 m on the fan axis.

To measure the sound power level (L_w), 10 microphones are distributed over an enveloping surface on the intake side of the fan being tested (see graphic). The sound power level measured can be roughly calculated from the sound pressure level by adding 7 dB.

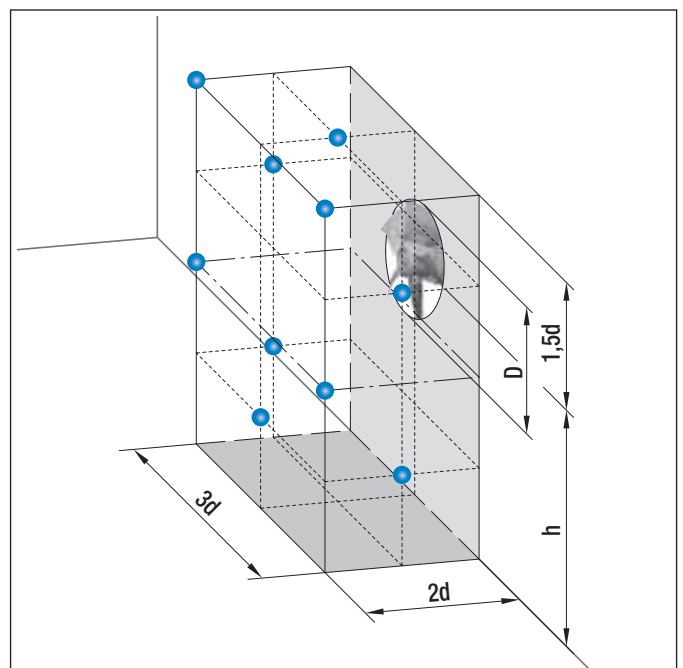
Measuring configuration as per ISO 13347-3 respectively DIN 45635-38:

- 10 measuring points

$$d \geq D$$

$$h = 1,5d \dots 4,5d$$

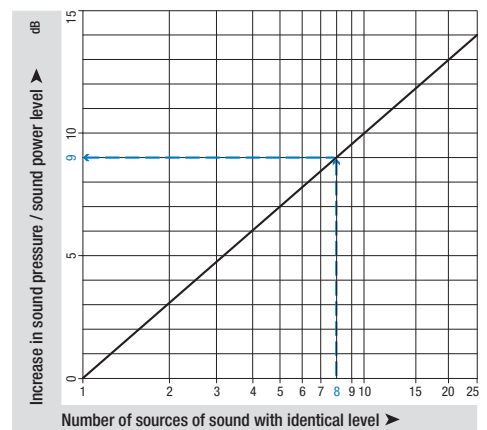
$$\text{Measurement area } S = 6d^2 + 7d(h + 1,5d)$$



Adding multiple noise sources with the same level

Adding 2 noise sources with the same volume results in a level increase of approx. 3 dB. The noise characteristics of multiple identical fans can be determined in advance based on the noise values specified in the data sheet. This is shown in the diagram opposite.

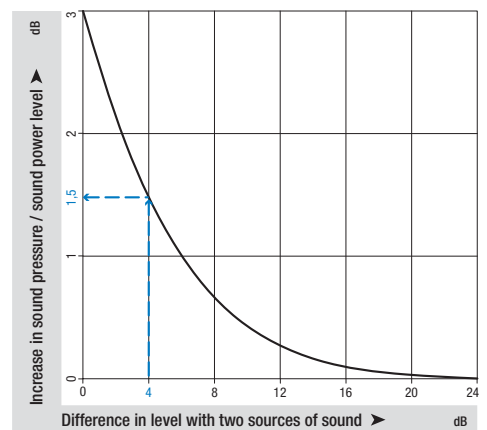
Example: 8 A3G800 axial fans are on a condenser. According to the data sheet, the sound pressure level of a fan is approximately 75 dB(A). The level increase measured from the diagram is 9 dB. Thus the overall sound level of the installation can be expected to be 84 dB(A).



Adding two noise sources with different levels

The acoustic performance of two different fans can be predetermined based on the sound levels given in the data sheet. This is shown in the diagram opposite.

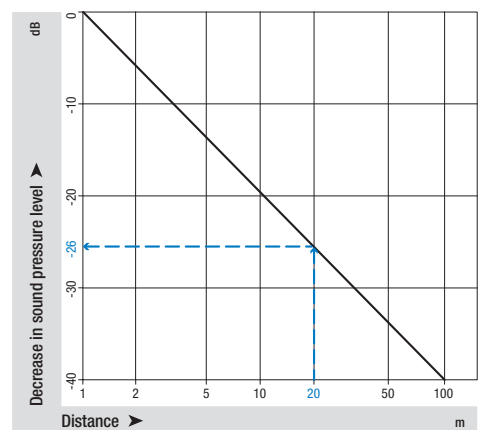
Example: There is an axial fan A3G800 with a sound pressure level of 75 dB(A) at the operating point and an axial fan A3G710 with 71 dB(A) in a ventilation unit. The level difference is 4 dB. The level increase can now be read in the diagram as approx. 1.5 dB. This means that the overall sound level of the unit can be expected to be 76.5 dB(A).







Distance laws

Sound power level is independent of distance to the sound source. In contrast to this, sound pressure level decreases the further away the noise source is. The adjacent diagram shows the decrease in level under far sound field conditions. Far sound field conditions apply whenever the distance between microphone and fan is big when compared to fan diameter and wavelength to be considered. For more information on far sound field, please consult the relevant literature on this complex topic. Per doubling of distance, the level in the far sound field decreases by 6 dB. In the near field of the fan, other correlations apply and the decrease in levels can be considerably smaller. The following example only applies to far sound field conditions and can vary strongly depending on the installation effects:

With an axial fan A3G300, a sound pressure level of 65 dB(A) was measured at a distance of 1 m. According to the adjacent diagram, at a distance of 20 m we would get a reduction by 26 dB, i.e. a sound pressure level of 39 dB(A).



-  fan agent
-  compact fan agent
-  motor specialist
-  motor agent

ebm-papst in Germany

Germany

ebm-papst Mulfingen GmbH & Co. KG

Bachmühle 2
D-74673 Mulfingen
Phone +49 7938 81-0
Fax +49 7938 81-110
info1@de.ebmpapst.com

www.ebmpapst.com

ebm-papst St. Georgen GmbH & Co. KG




Hermann-Papst-Straße 1
D-78112 St. Georgen
Phone +49 7724 81-0
Fax +49 7724 81-1309
info2@de.ebmpapst.com

www.ebmpapst.com

ebm-papst Landshut GmbH

Hofmark-Aich-Straße 25
D-84030 Landshut
Phone +49 871 707-0
Fax +49 871 707-465
info3@de.ebmpapst.com

www.ebmpapst.com

 **Berlin**
Dipl.-Ing. (TH) Jens Duchow
 Händelstraße 7
 D-16341 Panketal
Phone +49 30 944149-62
Fax +49 30 944149-63
Jens.Duchow@de.ebmpapst.com

 **Bielefeld**
Dipl.-Ing. (FH) Wolf-Jürgen Weber
 Niehausweg 13
 D-33739 Bielefeld
Phone +49 5206 91732-31
Fax +49 5206 91732-35
Wolf-Juergen.Weber@de.ebmpapst.com

 **Dortmund**
Dipl.-Ing. (FH) Hans-Joachim Pundt
 Auf den Steinern 3
 D-59519 Möhnese-Völlinghausen
Phone +49 2925 800-407
Fax +49 2925 800-408
Hans-Joachim.Pundt@de.ebmpapst.com

 **Frankfurt**
Dipl.-Ing. Christian Kleffmann
 Dr.-Hermann-Krause-Straße 23
 D-63452 Hanau
Phone +49 6181 1898-12
Fax +49 6181 1898-13
Christian.Kleffmann@de.ebmpapst.com

 **Halle**
Dipl.-Ing. (TU) Michael Hanning
 Lercheneck 4
 D-06198 Salzatal / OT Lieskau
Phone +49 345 55124-56
Fax +49 345 55124-57
Michael.Hanning@de.ebmpapst.com

 **Hamburg**
Ingenieurbüro Breuell GmbH
 Ing. Dirk Kahl
 Elektroingenieur
Grützmühlenweg 40
D-22339 Hamburg
Phone +49 40 538092-19
Fax +49 40 538092-84
Dirk.Kahl@de.ebmpapst.com

 **Heilbronn / Heidelberg**
Dipl.-Ing. Mark Gartner
 Gehrweg 12
 D-74199 Unterheinriet
Phone +49 7130 404569-1
Fax +49 7130 404569-2
Mark.Gartner@de.ebmpapst.com

 **Kassel**
Dipl.-Ing. (FH) Ralph Brück
 Hoherainstraße 3 b
 D-35075 Gladenbach
Phone +49 6462 4071-10
Fax +49 6462 4071-11
Ralph.Brueck@de.ebmpapst.com

 **Koblenz**
Winfried Schaefer
 Hinter der Kirch 10
 D-56767 Uersfeld
Phone +49 2657 16-96
Fax +49 2657 16-76
Winfried.Schaefer@de.ebmpapst.com

 **Munich**
Dipl.-Wirt.-Ing. (FH) Jens Peter
 Landsbergerstraße 14
 D-86932 Pürgen
Phone +49 7971 260-180
Fax +49 7971 260-221
Jens.Peter@de.ebmpapst.com

 **Nuremberg**
Dipl.-Wirt.-Ing. (FH) Axel Resch
 Steinsfeldstraße 80
 D-74626 Bretzfeld
Phone +49 7946 94401-02
Fax +49 7946 94401-03
Axel.Resch@de.ebmpapst.com

 **Offenburg**
Dipl.-Ing. (FH) Ralf Braun
 Hubeneck 21
 D-77704 Oberkirch
Phone +49 7802 9822-52
Fax +49 7802 9822-53
Ralf.Braun@de.ebmpapst.com

 **Stuttgart**
Dipl.-Ing. (FH) Rudi Weinmann
 Hindenburgstraße 100/1
 D-73207 Plochingen
Phone +49 7153 9289-80
Fax +49 7153 9289-81
Rudi.Weinmann@de.ebmpapst.com

 **Ulm**
M.Sc. Reinhard Sommerreißer
 Am Silbermannpark 10
 D-86161 Augsburg
Phone +49 821 6610-7023
Fax +49 821 6610-7024
Reinhard.Sommerreisser@de.ebmpapst.com

Distributors

 **Frankfurt**
R.E.D. Handelsgesellschaft mbH
Gutenbergstraße 3
D-63110 Rodgau - Jügesheim
Phone +49 6106 841-0
Fax +49 6106 841-111
info@red-elektromechanik.de
www.red-elektromechanik.de

 **Hamburg**
Breuell + Hilgenfeldt GmbH
Grützmühlenweg 40
D-22339 Hamburg
Phone +49 40 538092-20
Fax +49 40 538092-84
info@breuell-hilgenfeldt.de

 **Munich**
A. Schweiger GmbH
Ohmstraße 1
D-82054 Sauerlach
Phone +49 8104 897-0
Fax +49 8104 897-90
info@schweiger-gmbh.de
www.schweiger-gmbh.com

● **Express Service-Center** (1 to 5 pieces)

 **North**
Breuell + Hilgenfeldt GmbH
 Grützmühlenweg 40
 D-22339 Hamburg
Phone +49 40 538092-20
Fax +49 40 538092-84
ebmpapst@breuell-hilgenfeldt.de

 **South**
HDS Ventilatoren Vertriebs GmbH
 Glaswiesenstraße 1
 D-74677 Dörzbach
Phone +49 7937 8033520
Fax +49 7937 8033525
info@hds-gmbh.net

Europe

 **Austria**
 ebm-papst Motoren & Ventilatoren GmbH
 Straubingstraße 17
A-4030 Linz
Phone +43 732 321150-0
Fax +43 732 321150-20
info@at.ebmpapst.com
www.ebmpapst.at

 **Belarus**
 ebm-papst Bel AgmbH
 P.O. Box 117
BY-220138 Minsk
Phone +375 17 3851556
Fax +375 17 3851556
info@by.ebmpapst.com
www.ebmpapst.by

 **Belgium**
 ebm-papst Benelux B.V.
 Sales office Belgium-Luxemburg
Romeinsestraat 6/0101
Research Park Haasrode
B-3001 Heverlee-Leuven
Phone +32 16 396-200
Fax +32 16 396-220
info@be.ebmpapst.com
www.ebmpapst.be

 **Bulgaria**
 ebm-papst Romania S.R.L.
 Str. Tarnavei Nr. 20
RO-500327 Brasov
Phone +40 268 312-805
Fax +40 268 312-805
dudasludovic@xnet.ro

 **Croatia**
 ebm-papst Industries Kft.
 Ezred u. 2.
H-1044 Budapest
Phone +36 1 8722-190
Fax +36 1 8722-194
office@hu.ebmpapst.com

 **Czech Republic / Slovakia**
 ebm-papst CZ s.r.o.
 Kaštanová 34a
CZ-620 00 Brno
Phone +420 544 502-411
Fax +420 547 232-622
info@ebmpapst.cz
www.ebmpapst.cz

 **Denmark**
 ebm-papst Denmark ApS
 Vallensbækvej 21
DK-2605 Brøndby
Phone +45 43 631111
Fax +45 43 630505
mail@dk.ebmpapst.com
www.ebmpapst.dk

 **Estonia**
 ebm-papst Oy, Eesti Filiaal
 Kesk tee 13
Aaviku küla, Jüri Tehnopark
EST-75301 Rae Vald, Harjumaa
Phone +372 65569-78
Fax +372 65569-79
www.ebmpapst.ee

 **Finland**
 ebm-papst Oy
 Puistotie 1
FIN-02760 Espoo
Phone +358 9 887022-0
Fax +358 9 887022-13
mailbox@ebmpapst.fi
www.ebmpapst.fi

 **France**
 ebm-papst sarl
 ZI Nord - rue A. Mohler
BP 62
F-67212 Obernai Cedex
Phone +33 820 326266
Fax +33 3 88673883
info@ebmpapst.fr
www.ebmpapst.fr

 **Greece**
 Helcoma
 Th. Rotas & Co OE
Davaki 65
GR-17672 Kallithea-Attiki
Phone +30 210 9513-705
Fax +30 210 9513-490
contact@helcoma.gr
www.helcoma.gr

 **Hungary**
 ebm-papst Industries Kft.
 Ezred u. 2.
H-1044 Budapest
Phone +36 1 8722-190
Fax +36 1 8722-194
office@hu.ebmpapst.com



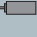

 **Iceland**
 RJ Engineers
 Stangarhyl 1a
IS-110 Reykjavik
Phone +354 567 8030
Fax +354 567 8015
rj@rj.is
www.rj.is

 **Ireland**
 ebm-papst UK Ltd.
 Chelmsford Business Park
GB-Chelmsford Essex CM2 5EZ
Phone +44 1245 468555
Fax +44 1245 466336
sales@uk.ebmpapst.com
www.ebmpapst.co.uk

 **AuBren Limited**
 Portlaoise Business & Technology Park
 Mountrath Road
IRL-Portlaoise, Co. Laois
Phone +353 57 8664343
Fax +353 57 8664346
sales@ie.aubren.com
www.aubren.com

 **Italy**
 ebm-papst Srl
 Via Cornaggia 108
I-22076 Mozzate (Co)
Phone +39 0331 836201
Fax +39 0331 821510
info@it.ebmpapst.com
www.ebmpapst.it

 **Macedonia**
 ebm-papst Industries Kft.
 Ezred u. 2.
H-1044 Budapest
Phone +36 1 8722-190
Fax +36 1 8722-194
office@hu.ebmpapst.com

-  fan agent
-  compact fan agent
-  motor specialist
-  motor agent

ebm-papst in Europe

 **Netherlands**
 ebm-papst Benelux B.V.
 Engelseweg 127
 NL-5705 AC Helmond
 Phone +31 492 502-900
 Fax +31 492 502-950
 verkoop@nl.ebmpapst.com
 www.ebmpapst.nl

 **Norway**
 ebm-papst AS
 P.B. 173 Holmlia
 N-1203 Oslo
 Phone +47 22 763340
 Fax +47 22 619173
 mailbox@ebmpapst.no
 www.ebmpapst.no

 **Poland**
 ebm-papst Polska Sp. z o.o.
 ul. Annopol 4A
 PL-03236 Warszawa
 Phone +48 22 6757819
 Fax +48 22 6769587
 office@ebmpapst.pl
 www.ebmpapst.pl

 **Portugal**
 ebm-papst (Portugal), Lda.
 Centro Empresarial de Alverca
 Rua de Adarse, Vale D'Ervas
 Corpo D / Fracção 3
 P-2615-178 Alverca do Ribatejo
 Phone +351 218 394 880
 Fax +351 218 394 759
 info@pt.ebmpapst.com
 www.ebmpapst.pt

 **Romania**
 ebm-papst Romania S.R.L.
 Str. Tarnavei Nr. 20
 RO-500327 Brasov
 Phone +40 268 312-805
 Fax +40 268 312-805
 dadasludovic@xnet.ro

 **Russia**
 ebm-papst Ural GmbH
 Posadskaja-Strasse, 23(E), 3
 RU-620102 Ekaterinburg
 Phone +7 343 2338000
 Fax +7 343 2337788
 Konstantin.Molokov@ru.ebmpapst.com
 www.ebmpapst.ur.ru

 ebm-papst Rus GmbH
 proezd 4529, vladenie 5, stroenie 1
 RU-141000 Mytistschi, Oblast Moskau
 Phone +7 495 9807524
 Fax +7 495 5140924
 info@ebmpapst.ru
 www.ebmpapst.ru




 **Serbia & Montenegro**
 ebm-papst Industries Kft.
 Ezred u. 2.
 H-1044 Budapest
 Phone +36 1 8722-190
 Fax +36 1 8722-194
 office@hu.ebmpapst.com

 **Spain**
 ebm-papst Ibérica S.L.
 Avda. del Sistema Solar, 29
 E-28830 San Fernando de Henares (Madrid)
 Phone +34 91 6780894
 Fax +34 91 6781530
 ventas@ebmpapst.es

 **Sweden**
 ebm-papst AB
 Äggelundavägen 2
 S-17562 Järfälla
 Phone +46 10 4544400
 Fax +46 8 362306
 info@ebmpapst.se
 www.ebmpapst.se

 **Switzerland**
 ebm-papst AG
 Rütisbergstrasse 1
 CH-8156 Oberhasli
 Phone +41 44 73220-70
 Fax +41 44 73220-77
 verkauf@ebmpapst.ch
 www.ebmpapst.ch

 **Turkey**
 Akantel Elektronik San. Tic. LTD. Sti.
 Atatürk Organize Sanayi
 Bölgesi 10007 SK. No.:6
 TR-35620 Cigli-Izmir
 Phone +90 232 3282090
 Fax +90 232 3280270
 akantel@akantel.com.tr
 www.ebmpapst.com.tr

 **Ukraine**
 ebm-papst Ukraine LLC
 Lapse Boulevard, 4, Building 47
 UA-03067 Kiev
 Phone +38 044 2063091
 Fax +38 044 2063091
 mail@ebmpapst.ua
 www.ebmpapst.ua

 **United Kingdom**
 ebm-papst UK Ltd.
 Chelmsford Business Park
 GB-Chelmsford Essex CM2 5EZ
 Phone +44 1245 468555
 Fax +44 1245 466336
 sales@uk.ebmpapst.com
 www.ebmpapst.co.uk

 ebm-papst Automotive & Drives (UK) Ltd.
 The Smithy
 Fidlers Lane
 GB-East Ilsley, Berkshire RG20 7LG
 Phone +44 1635 2811-11
 Fax +44 1635 2811-61
 A&Dsales@uk.ebmpapst.com
 www.ebmpapst-ad.com

ebm-papst in America and Africa

America



Argentina



ebm-papst de Argentina S.A.
Hernandarias 148 Lomas del Mirador
Pcia. de Buenos Aires (1752)
Phone +54 11 46576135
Fax +54 11 46572092
ventas@ar.ebmpapst.com
www.ebmpapst.com.ar



Brasil



ebm-papst Motores Ventiladores Ltda.
Av. José Giorgi, 301 Galpões B6+B7
Condominio Logical Center
BR-06707-100 Cotia - São Paulo
Phone +55 11 4613-8700
Fax +55 11 3164-8924
vendas@br.ebmpapst.com
www.ebmpapst.com.br



Canada



ebm-papst Canada Inc.
1800 Ironstone Manor, Unit 2
CDN-Pickering, Ontario, L1W3J9
Phone +1 905 420-3533
Fax +1 905 420-3772
sales@ca.ebmpapst.com
www.ebmpapst.ca



Mexico



ebm Industrial S.de R.L. de C.V.
Paseo de Tamarindos 400-A-5º Piso
Col. Bosques de las Lomas
MEX-Mexico 05120, D.F.
Phone +52 55 3300-5144
Fax +52 55 3300-5243
sales@mx.ebmpapst.com
www.ebmpapst.com.mx

USA



ebm-papst Inc.
P.O. Box 4009
100 Hyde Road
USA-Farmington, CT 06034
Phone +1 860 674-1515
Fax +1 860 674-8536
sales@us.ebmpapst.com
www.ebmpapst.us



ebm-papst Automotive & Drives, Inc.
3200 Greenfield, Suite 255
USA-Dearborn, MI 48120
Phone +1 313 406-8080
Fax +1 313 406-8081
automotive@us.ebmpapst.com
www.ebmpapst-automotive.us



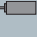

Africa



South Africa



ebm-papst South Africa (Pty) Ltd.
P.O. Box 3124
1119 Yacht Avenue
ZA-2040 Honeydew
Phone +27 11 794-3434
Fax +27 11 794-5020
info@za.ebmpapst.com
www.ebmpapst.co.za

-  fan agent
-  compact fan agent
-  motor specialist
-  motor agent

ebm-papst in Asia and Australia

Asia

 **China**
 ebm-papst Ventilator (Shanghai) Co., Ltd.
 No. 418, Huajing Road
 WaiGaoQiao Free Trade Zone
 No. 2001, Yang Gao (N) Road
 VRC-200131 Shanghai, P.R. of China
 Phone +86 21 5046-0183
 Fax +86 21 5046-1119
 sales@cn.ebmpapst.com
 www.ebmpapst.com.cn

 **Hong Kong**
 ebm-papst Hong Kong Ltd.
 Unit No. 13,9 / F
 Technology Park, 18 On Lai Street
 Siu Lek Yuen, Shatin N.T.
 Hong Kong - P.R. of China
 Phone +852 2145-8678
 Fax +852 2145-7678
 info@hk.ebmpapst.com

 **India**
 ebm-papst India Pvt. Ltd.
 26/3, G.N.T. Road, Erukkencherry
 IND-Chennai-600118
 Phone +91 44 25372556
 Fax +91 44 25371149
 sales@in.ebmpapst.com
 www.ebmpapst.in

 **Indonesia**
 ebm-papst Indonesia
 Representative Office
 German Centre, 4th Floor, Suite 4470
 Jl. Kapt. Subijono Dj. Bumi Serpong Damai
 RI-15321 Tangerang
 Phone +62 21 5376250
 Fax +62 21 5388305
 salesdept@id.ebmpapst.com

 **Israel**
 Polak Bros. Import Agencies Ltd.
 9 Hamefalsim Street
 IL-Kiryat Arie, Petach-Tikva 49514
 Phone +972 3 9100300
 Fax +972 3 5796679
 polak@polak.co.il
 www.polak.co.il

 **Japan**
 ebm-papst Industries Japan K.K.
 12 Floor, Benex S-3 Bldg.
 3-20-8 Shinyokohama, Kohoku-ku
 J-222-0033 Yokohama
 Phone +81 45 47057-51
 Fax +81 45 47057-52
 info@jp.ebmpapst.com
 www.ebmpapst.jp

 **Korea**
 ebm-papst Korea Co. Ltd.
 6F, Trutec Bldg.
 B 6-2, Digital Media City (DMC)
 Sangam-Dong, Mapo-Gu
 ROK-Seoul 121-270
 Phone +82 2 366213-24
 Fax +82 2 366213-26
 info@kr.ebmpapst.com
 www.ebmpapst.co.kr

 **Malaysia**
 ebm-papst Malaysia
 Representative Office
 Unit 12-2, Jalan USJ Sentral 3
 Persiaran Subang, Selangor Darul Ehsan
 MAL-47600 Subang Jaya
 Phone +60 3 8024-1680
 Fax +60 3 8024-8718
 salesdept@my.ebmpapst.com

 **Singapore**
 ebm-papst SEA Pte. Ltd.
 No. 23 Ubi Road 4
 #06-00 Olympia Industrial Building
 SGP-Singapore 408620
 Phone +65 65513789
 Fax +65 68428439
 salesdept@sg.ebmpapst.com

 **Taiwan**
 ETECO Engineering & Trading Corp.
 10F-I, No. 92, Teh-Wei Str.
 RC-Tsow-Inn District, Kaohsiung
 Phone +886 7 557-4268
 Fax +886 7 557-2788
 eteco@ms22.hinet.net
 www.ebmpapst.com.tw

 **Thailand**
 ebm-papst Thailand Co., Ltd.
 99/349 Na-Nakorn Bldg., 4th Floor
 Chaeng Wattana Road, Thungsonghong,
 THA-10210 Laksi, BKK
 Phone +66 2 57615-24
 Fax +66 2 57615-42
 salesdept@th.ebmpapst.com

 **United Arab Emirates**
 ebm-papst Middle East FZE
 PO Box 17755
 Jebel Ali Free Zone / FZS1 / AP05
 UAE-Dubai
 Phone +971 4 88608-26
 Fax +971 4 88608-27
 info@ae.ebmpapst.com
 www.ebmpapst.ae

 **Vietnam**
 ebm-papst Vietnam
 Representative Office
 Room #102, 25 Nguyen Van Thu Street
 District 1
 VN-Ho Chi Minh City
 Phone +84 8 39104099
 Fax +84 8 39103970
 linh.nguyen@vn.ebmpapst.com

Australia



Australia

ebm-papst A&NZ Pty Ltd.



10 Oxford Road



AUS-Laverton North, Victoria, 3026

Phone +61 3 9360-6400

Fax +61 3 9360-6464

sales@ebmpapst.com.au

www.ebmpapst.com.au



New Zealand

ebm-papst A&NZ Pty Ltd.



102 Henderson Valley Road



NZ-Henderson, Auckland 1230

Phone +64 9 837-1884

Fax +64 9 837-1899

sales@ebmpapst.com.au

www.ebmpapst.com.au

ebm-papst
Mulfingen GmbH & Co. KG

Bachmühle 2
D-74673 Mulfingen
Phone +49 7938 81-0
Fax +49 7938 81-110
info1@de.ebmpapst.com

www.ebmpapst.com



ebmpapst